



CARRARO

Catalogo Parti Di Ricambio

Spare Parts List

ASSALE 28.32

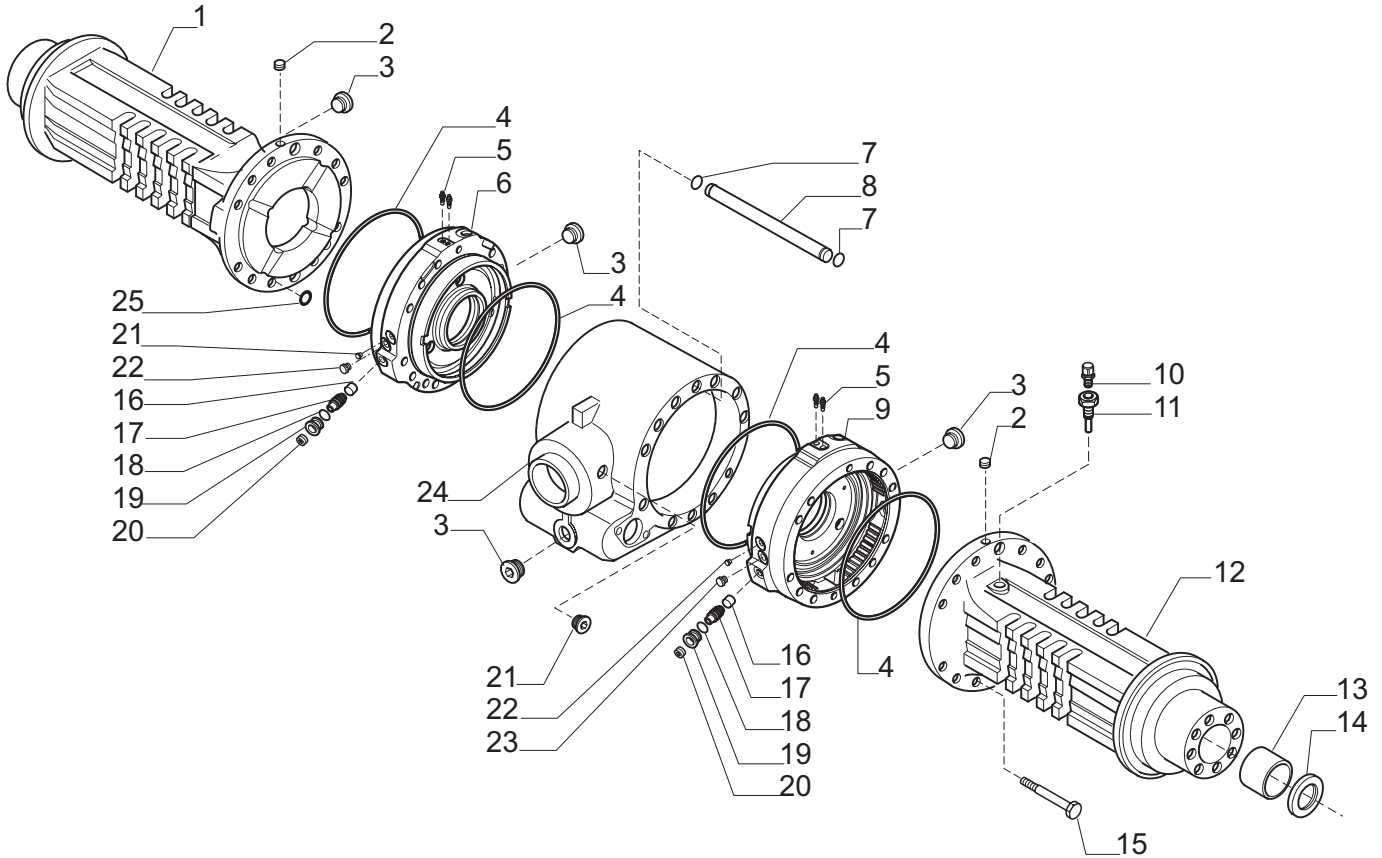
28.32M AXLE

REF. 145242

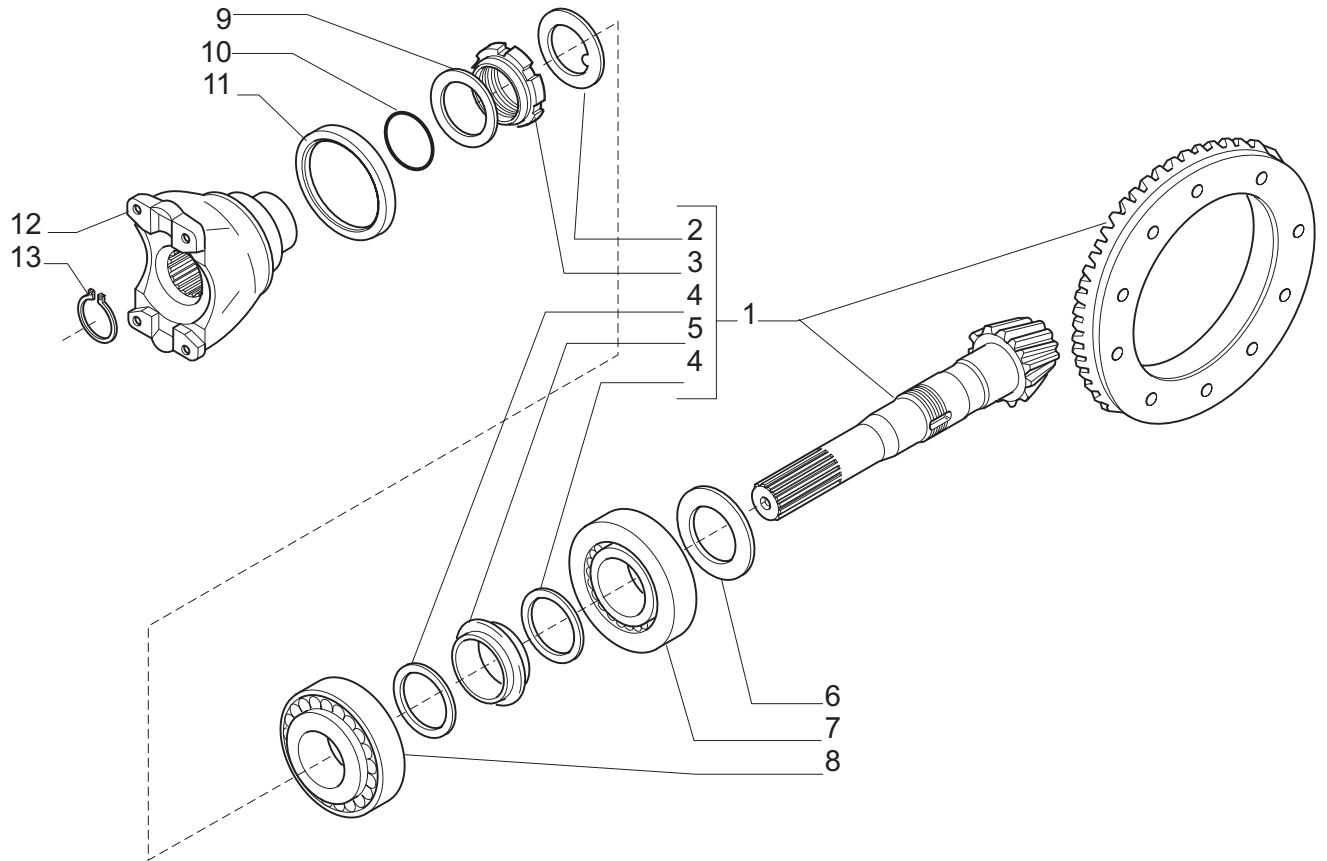
- 1.0.0 Corpo assale
Axle housing
- 2.0.0 Coppia conica
Bevel gear set
- 3.0.0 Differenziale
Differential
- 4.0.0 Bloccaggio differenziale
Differential locking
- 5.0.0 Freni
Brakes
- 6.0.0 Mozzo ruota
Wheel hub
- 7.0.0 Riduzione epicicloidale
Final reduction
- 8.0.0 Sommario kit
Kit summary

Il presente catalogo è valido a partire dal N° di matricola 101.

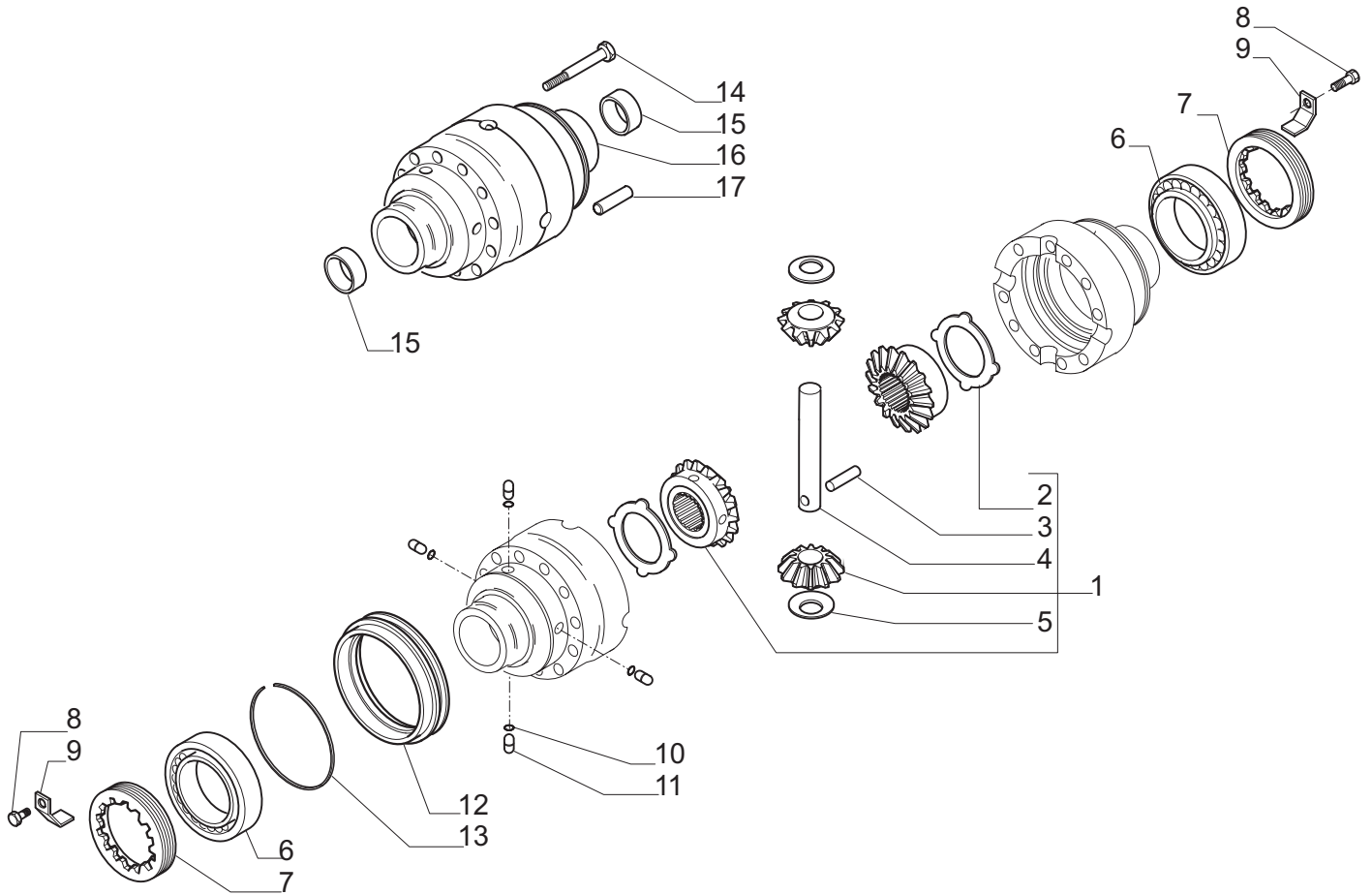
This catalogue is valid from serial number 101.



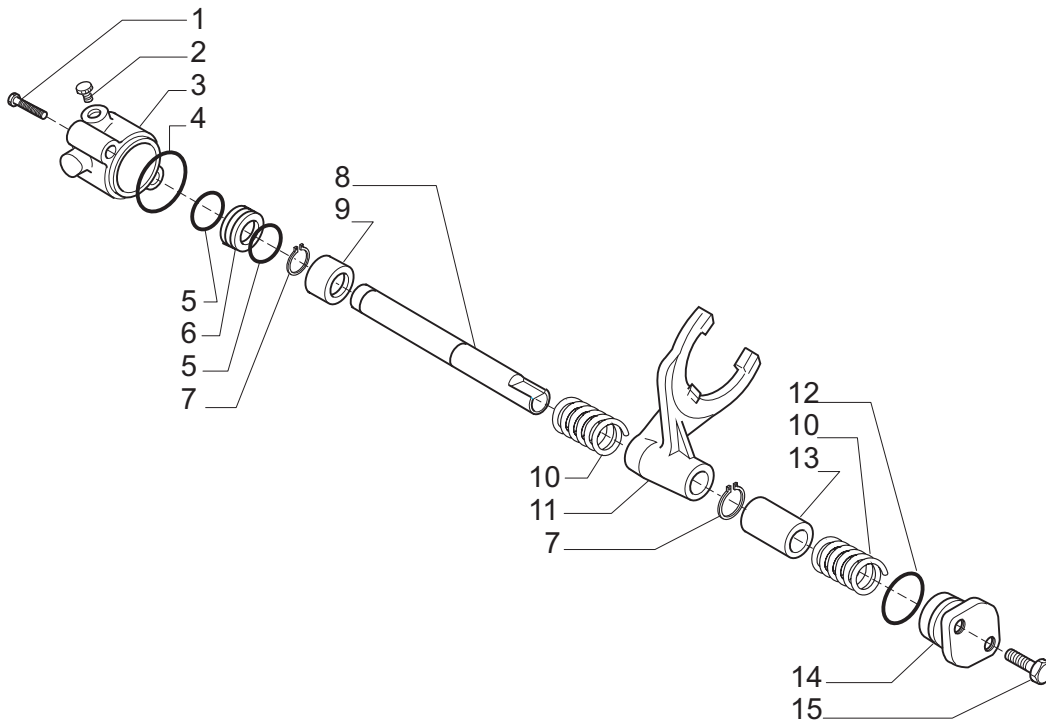
| Pos. | Ref. | Q.ty | Descrizione | Description | Kit | Note |
|------|--------|------|-----------------------|-----------------------|-----|------|
| 1 | 143603 | 1 | Tromba trave SX | Beam trumpet LH | | |
| 2 | 021558 | 2 | Tappo M10x1 | Plug M10x1 | | |
| 3 | 125280 | 4 | Tappo M30x2 | Plug M30x2 | | |
| 4 | 028562 | 4 | Anello OR | O.ring | | |
| 5 | 116792 | 4 | Sfiato M10x1 | Breather M10x1 | | |
| 6 | 145679 | 1 | Cilindro freno SX | Brake cylinder LH | | |
| 7 | 028526 | 2 | Anello OR | O.ring | | |
| 8 | 140132 | 1 | Tubo ricircolo aria | Pipe | | |
| 9 | 145678 | 1 | Cilindro freno DX | Brake cylinder RH | | |
| 10 | 104988 | 1 | Sfiato M10x1 | Breather M10x1 | | |
| 11 | 121618 | 1 | Prolunga sfiato | Breather pipe | | |
| 12 | 143604 | 1 | Tromba trave DX | Beam trumpet RH | | |
| 13 | 131954 | 2 | Bronzina | Bush | | |
| 14 | 025311 | 2 | Anello tenuta | Seal ring | | |
| 15 | 020993 | 22 | Vite M14x140 | Bolt M14x140 | | |
| 16 | 139955 | 6 | Perno | Pin | | |
| 17 | 136152 | 6 | Vite M16x1.5 | Bolt M16x1.5 | | |
| 18 | 028534 | 6 | Anello OR | O.ring | | |
| 19 | 139922 | 6 | Vite speciale M22x1.5 | Special screw M22x1.5 | | |
| 20 | 021567 | 6 | Tappo M16x1.5 | Plug M16x1.5 | | |
| 21 | 021579 | 1 | Tappo | Plug | | |
| 22 | 030803 | 2 | Tappo | Plug | | |
| 23 | 021570 | 2 | Tappo | Plug | | |
| 24 | 139544 | 1 | Corpo centrale | Central body | | |
| 25 | 028500 | 8 | Anello OR | O.ring | | |
| | | | | | | |
| | | | | | | |
| | | | | | | |
| | | | | | | |
| | | | | | | |



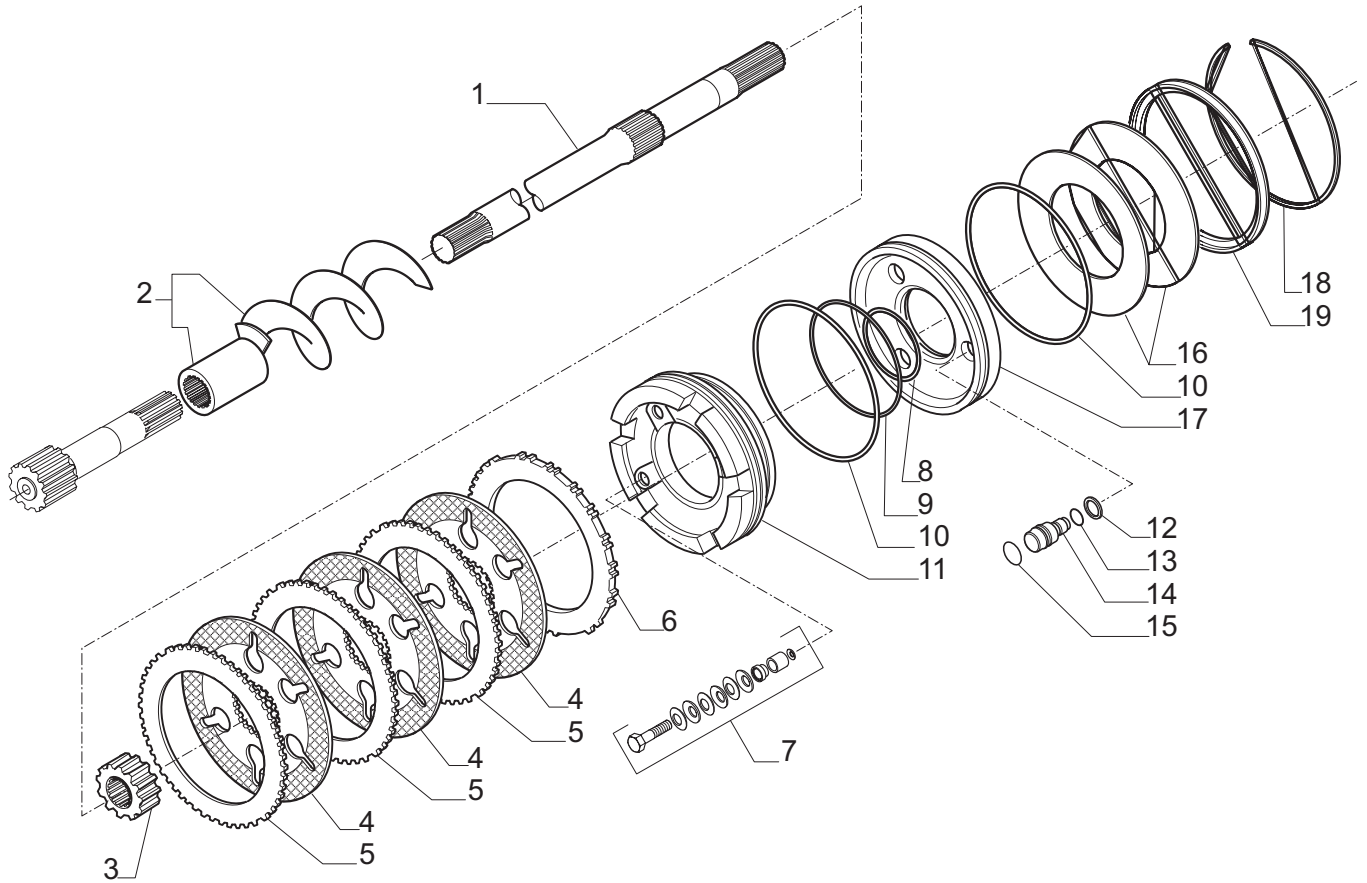
| Pos. | Ref. | Q.ty | Descrizione | Description | Kit | Note |
|------|--------|------|-----------------------|-----------------------------|--------|------|
| 1 | 066941 | 1 | Coppia conica 15/37 | Bevel gear/pinion set 15/37 | | |
| 2 | 113717 | 1 | Rondella fermo ghiera | Lockwasher | 066941 | |
| 3 | 115054 | 1 | Ghiera M40x1.5 | Ring nut M40x1.5 | 066941 | |
| 4 | 125829 | 2 | Rondella 50x40.5x2 | Washer 50x40.5x2 | 066941 | |
| 5 | 138692 | 1 | Distanziale elastico | Collapsible spacer | 066941 | |
| 6 | 134186 | - | Spessore 2.50 mm | Shim 2.50 mm | | |
| 6 | 134187 | - | Spessore 2.60 mm | Shim 2.60 mm | | |
| 6 | 134188 | - | Spessore 2.70 mm | Shim 2.70 mm | | |
| 6 | 134189 | - | Spessore 2.80 mm | Shim 2.80 mm | | |
| 6 | 134190 | - | Spessore 2.90 mm | Shim 2.90 mm | | |
| 6 | 134191 | - | Spessore 3.00 mm | Shim 3.00 mm | | |
| 6 | 134192 | - | Spessore 3.10 mm | Shim 3.10 mm | | |
| 6 | 134193 | - | Spessore 3.20 mm | Shim 3.20 mm | | |
| 6 | 134194 | - | Spessore 3.30 mm | Shim 3.30 mm | | |
| 6 | 134195 | - | Spessore 3.40 mm | Shim 3.40 mm | | |
| 7 | 027351 | 1 | Cuscinetto | Bearing | | |
| 8 | 027350 | 1 | Cuscinetto | Bearing | | |
| 9 | 123402 | 1 | Rondella | Washer | | |
| 10 | 028532 | 1 | Anello OR | O-ring | | |
| 11 | 145050 | 1 | Anello di tenuta | Oil seal | | |
| 12 | 144332 | 1 | Flangia | Flange | | |
| 13 | 024789 | 1 | Anello seeger D.34 | Snap ring D.34 | | |
| | | | | | | |
| | | | | | | |
| | | | | | | |
| | | | | | | |
| | | | | | | |
| | | | | | | |
| | | | | | | |
| | | | | | | |
| | | | | | | |
| | | | | | | |



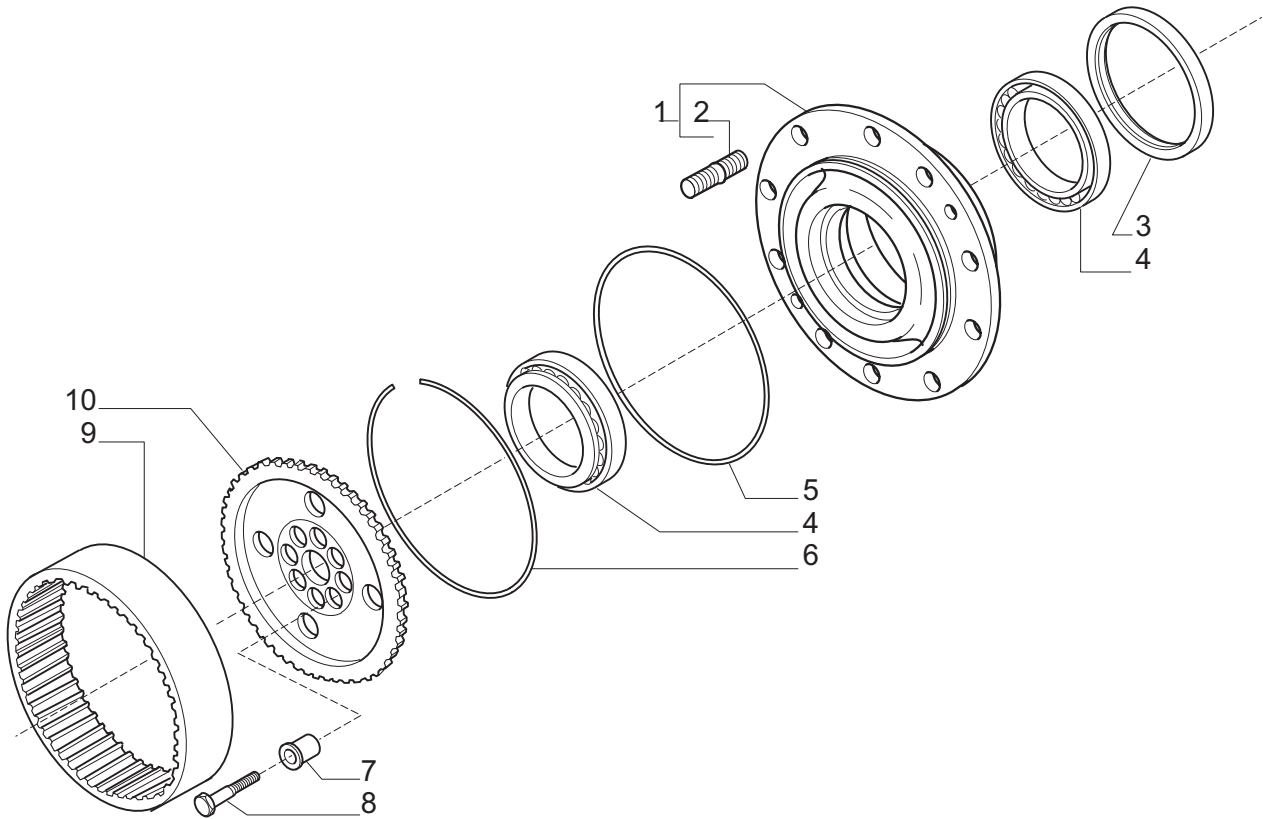
| Pos. | Ref. | Q.ty | Descrizione | Description | Kit | Note |
|------|--------|------|-------------------------|----------------------|--------|------|
| 1 | 066758 | 1 | Kit ingr. differenziale | Differential kit | | |
| 2 | 133036 | 2 | Controdisco bloc. diff. | Diff. counter disc | 066758 | |
| 3 | 024430 | 1 | Spina D8x40 | Pin D8x40 | 066758 | |
| 4 | 127907 | 1 | Perno | Shaft | 066758 | |
| 5 | 107771 | 2 | Ralla rasamento | Thrust washer | 066758 | |
| 6 | 027257 | 2 | Cuscinetto | Bearing | | |
| 7 | 145683 | 2 | Ghiera M94x2 | Ring nut M94x2 | | |
| 8 | 128440 | 2 | Vite M6x10 | Bolt M6x10 | | |
| 9 | 136156 | 2 | Fermo ghiera | Locking plate | | |
| 10 | 028219 | 4 | Anello OR | O.ring | | |
| 11 | 138651 | 4 | Piolo | Pin | | |
| 12 | 131592 | 1 | Manicotto | Sleeve | | |
| 13 | 025077 | 1 | Anello | Ring | | |
| 14 | 125551 | 10 | Vite M12x90 | Bolt M12x90 | | |
| 15 | 131747 | 2 | Bronzina | Bush | | |
| 16 | 145680 | 1 | Scatola differenziale | Differential housing | | |
| 17 | 117569 | 1 | SpinaD12x40 | Pin D12x40 | | |
| | | | | | | |
| | | | | | | |
| | | | | | | |
| | | | | | | |
| | | | | | | |
| | | | | | | |
| | | | | | | |
| | | | | | | |
| | | | | | | |
| | | | | | | |
| | | | | | | |



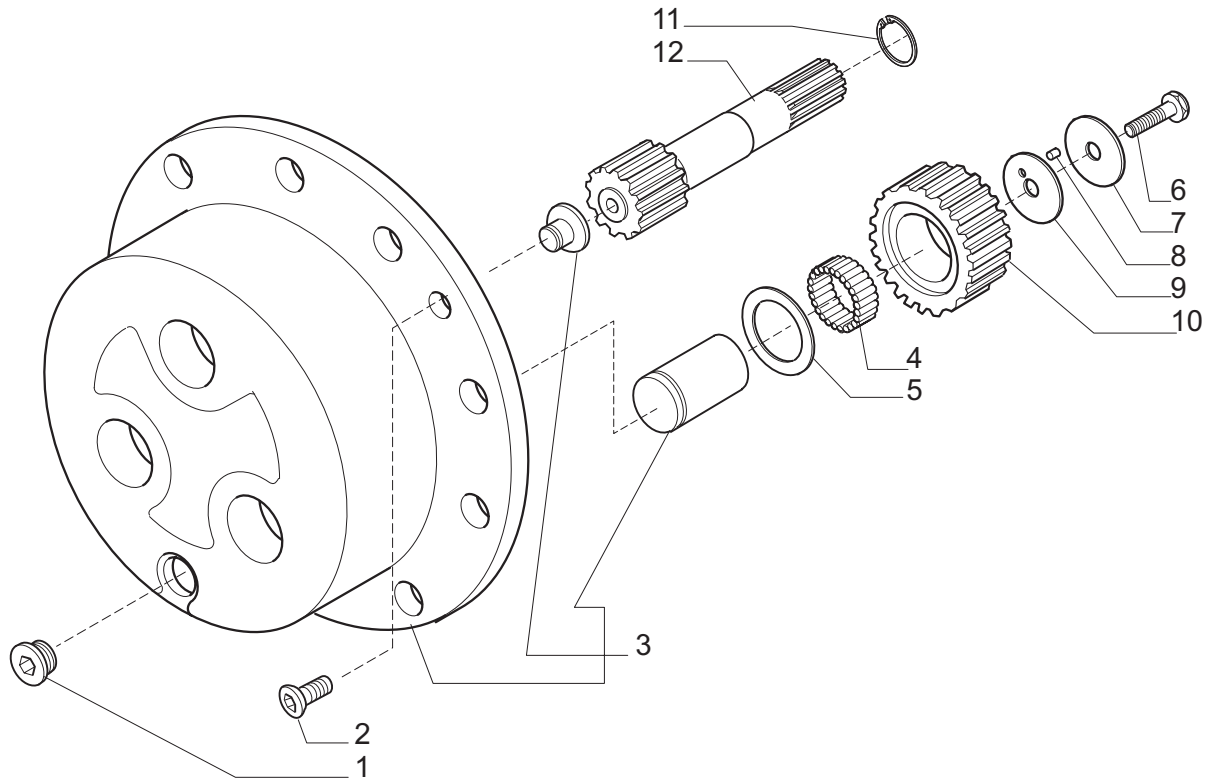
| Pos. | Ref. | Q.ty | Descrizione | Description | Kit | Note |
|------|--------|------|---------------------|-------------|-----|------|
| 1 | 020807 | 2 | Vite M8x80 | Bolt M8x80 | | |
| 2 | 030720 | 1 | Tappo | Plug | | |
| 3 | 139131 | 1 | Supporto | Support | | |
| 4 | 028527 | 1 | Anello OR | O.ring | | |
| 5 | 028121 | 2 | Anello OR | O.ring | | |
| 6 | 139139 | 1 | Pistone bloc. diff. | Piston | | |
| 7 | 024776 | 2 | Anello seeger | Snap ring | | |
| 8 | 139141 | 1 | Perno | Shaft | | |
| 9 | 139140 | 1 | Bussola | Bush | | |
| 10 | 125756 | 2 | Molla | Spring | | |
| 11 | 130311 | 1 | Forcella | Fork | | |
| 12 | 028557 | 1 | Anello OR | O.ring | | |
| 13 | 129032 | 1 | Distanziale | Spacer | | |
| 14 | 126143 | 1 | Coperchio | Cover | | |
| 15 | 020793 | 2 | Vite M8x30 | Bolt M8x30 | | |
| | | | | | | |
| | | | | | | |
| | | | | | | |
| | | | | | | |
| | | | | | | |
| | | | | | | |
| | | | | | | |
| | | | | | | |
| | | | | | | |
| | | | | | | |
| | | | | | | |
| | | | | | | |
| | | | | | | |
| | | | | | | |
| | | | | | | |
| | | | | | | |
| | | | | | | |
| | | | | | | |
| | | | | | | |
| | | | | | | |



| Pos. | Ref. | Q.ty | Descrizione | Description | Kit | Note |
|------|--------|------|------------------------|-----------------------|-----|------|
| 1 | 138737 | 2 | Semiasse | Half-shaft | | |
| 2 | 138947 | 1 | Coclea elica DX | Auger RH | | |
| 2 | 138949 | 1 | Coclea elica SX | Auger LH | | |
| 3 | 136648 | 2 | Mozzo traino freno | Hub | | |
| 4 | 143874 | 6 | Disco freno | Brake disc | | |
| 5 | 136155 | 6 | Controdisco freno | Brake counter disc | | |
| 6 | 136644 | 2 | Controdisco freno | Brake counter disc | | |
| 7 | 066573 | 2 | Kit self-adjust | Self-adjust kit | | |
| 8 | 141938 | 2 | Anello OR | O.ring | | |
| 9 | 141939 | 2 | Anello OR | O.ring | | |
| 10 | 141937 | 4 | Anello OR | O.ring | | |
| 11 | 135966 | 2 | Pistone freno positivo | Positive brake piston | | |
| 12 | 024782 | 6 | Rondella | Washer | | |
| 13 | 141936 | 6 | Anello OR | O.ring | | |
| 14 | 145815 | 6 | Perno di spinta | Pin | | |
| 15 | 141935 | 6 | Anello OR | O.ring | | |
| 16 | 145827 | 4 | Molla a tazza | Belleville washer | | |
| 17 | 145830 | 2 | Pistone freno negativo | Negative brake piston | | |
| 18 | 135572 | 2 | Anello | Ring | | |
| 19 | 145828 | 2 | Manicotto | Sleeve | | |
| | | | | | | |
| | | | | | | |
| | | | | | | |
| | | | | | | |
| | | | | | | |
| | | | | | | |
| | | | | | | |
| | | | | | | |
| | | | | | | |
| | | | | | | |
| | | | | | | |



| Pos. | Ref. | Q.ty | Descrizione | Description | Kit | Note |
|------|--------|------|--------------------------|----------------|--------|------|
| 1 | 068045 | 1 | Kit mozzo ruota | Wheel hub assy | 068045 | |
| 2 | 119907 | 20 | Prigioniero | Stud | | |
| 3 | 047702 | 2 | Anello tenuta | Seal ring | | |
| 4 | 118370 | 4 | Cuscinetto | Bearing | | |
| 5 | 028579 | 2 | Anello OR | O.ring | | |
| 6 | 125233 | 2 | Anello | Ring | | |
| 7 | 125190 | 16 | Bussola | Bush | | |
| 8 | 119906 | 16 | Vite M14x65 | Bolt M14x65 | | |
| 9 | 125186 | 2 | Corona epicicloidale Z77 | Crown gear Z77 | | |
| 10 | 139633 | 2 | Mozzo fermo corona | Wheel carrier | | |
| | | | | | | |
| | | | | | | |
| | | | | | | |
| | | | | | | |
| | | | | | | |
| | | | | | | |
| | | | | | | |
| | | | | | | |
| | | | | | | |
| | | | | | | |
| | | | | | | |
| | | | | | | |
| | | | | | | |
| | | | | | | |
| | | | | | | |
| | | | | | | |
| | | | | | | |



| Pos. | Ref. | Q.ty | Descrizione | Description | Kit | Note |
|------|--------|------|--------------------------|---------------------------|-----|------|
| 1 | 125280 | 2 | Tappo M30x2 | Plug M30x2 | | |
| 2 | 020490 | 4 | Vite M8x20 | Bolt M8x20 | | |
| 3 | 066055 | 2 | Kit treno portasatelliti | Planetary carrier assy | | |
| 4 | 028297 | 16.8 | Rullini (a decine) | Needle bearings (by tens) | | |
| 5 | 128731 | 6 | Ralla | Thrust washer | | |
| 6 | 125229 | 6 | Vite M10x50 | Bolt M10x50 | | |
| 7 | 132319 | 6 | Ralla | Thrust washer | | |
| 8 | 028370 | 0.6 | Rullini (a decine) | Needle bearings (by tens) | | |
| 9 | 125134 | 6 | Ralla | Thrust washer | | |
| 10 | 128714 | 6 | Ingranaggio Z31 | Gear Z31 | | |
| 11 | 024877 | 2 | Anello seeger | Snap ring | | |
| 12 | 138940 | 2 | Semiassse con ingr. Z=13 | Half-shaft with gear Z=13 | | |
| | | | | | | |
| | | | | | | |
| | | | | | | |
| | | | | | | |
| | | | | | | |
| | | | | | | |
| | | | | | | |
| | | | | | | |
| | | | | | | |
| | | | | | | |
| | | | | | | |
| | | | | | | |

| Kit | Ref. | Descrizione | Description | Q.ty | Note |
|--------|--------|--------------------------|--------------------------|------|------|
| 066941 | - | Kit coppia conica | Bevelgear/pinion set | - | |
| - | - | Coppia conica Z15/37 | Bevel gear/pinion Z15/37 | 1 | |
| - | 113717 | Rondella fermo ghiera | Lockwasher | 1 | |
| - | 115054 | Ghiera M40x1.5 | Ring nut M40x1.5 | 1 | |
| - | 125829 | Rondella | Washer | 2 | |
| - | 138629 | Distanziale elastico | Collapsible spacer | 1 | |
| 066758 | - | Kit ingr. differenziale | Differential kit | - | |
| - | - | Ingranaggio Z12 | Gear Z12 | 2 | |
| - | - | Ingranaggio Z18 | Gear Z18 | 1 | |
| - | - | Ingranaggio Z18 | Gear Z18 | 1 | |
| - | 133036 | Controdisco bloc. diff. | Diff. counter disc | 2 | |
| - | 024430 | Spina D8x40 | Pin D8x40 | 1 | |
| - | 127907 | Perno | Shaft | 1 | |
| - | 107771 | Ralla rasamento | Thrust washer | 2 | |
| 066573 | - | Kit self-adjust | Self-adjust kit | - | |
| - | - | Vite M6x1 | Bolt M6x1 | 3 | |
| - | - | Distanziale | Spacer | 3 | |
| - | - | Spina elastica | Split pin | 3 | |
| - | - | Molla tazza | Belleville washer | 3 | |
| - | - | Molla tazza | Belleville washer | 18 | |
| 068045 | - | Kit mozzo ruota | Wheel hub kit | - | |
| - | - | Mozzo | Wheel hub | 1 | |
| - | 119907 | Prigioniero | Stud | 10 | |
| 066055 | - | Kit treno portasatelliti | Planetary carrier kit | - | |
| - | - | Treno portasatelliti | Planetary carrier | 1 | |
| - | - | Pattino arresto semiasse | Locking pad | 1 | |
| - | - | Perno | Pin | 3 | |
| | | | | | |
| | | | | | |
| | | | | | |
| | | | | | |
| | | | | | |
| | | | | | |
| | | | | | |
| | | | | | |
| | | | | | |
| | | | | | |
| | | | | | |
| | | | | | |
| | | | | | |
| | | | | | |
| | | | | | |
| | | | | | |
| | | | | | |
| | | | | | |
| | | | | | |
| | | | | | |
| | | | | | |
| | | | | | |
| | | | | | |
| | | | | | |
| | | | | | |
| | | | | | |