

MAY '97

26.25-FR CARRARO AXLE ref. 134237
For "FERMEC"
Spare Parts List

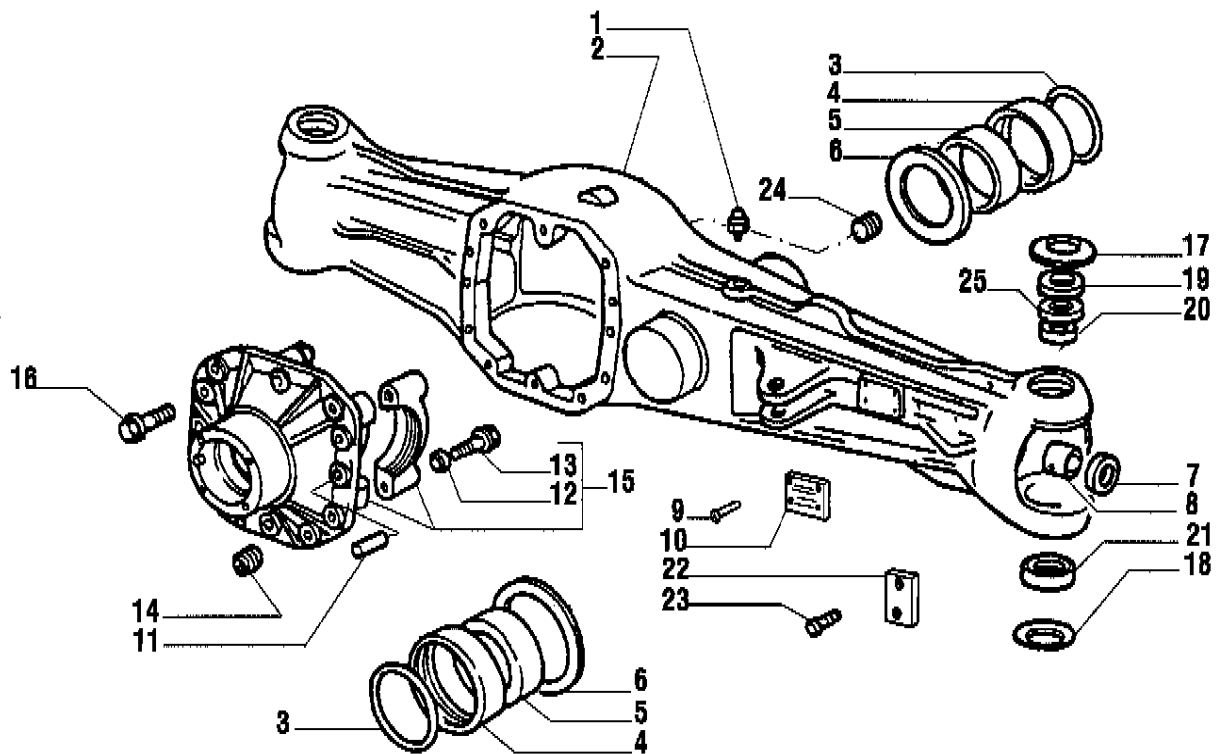
26.25-FR CARRARO AXLE ref. 134237

For "FERMEC"

SPARE PARTS LIST

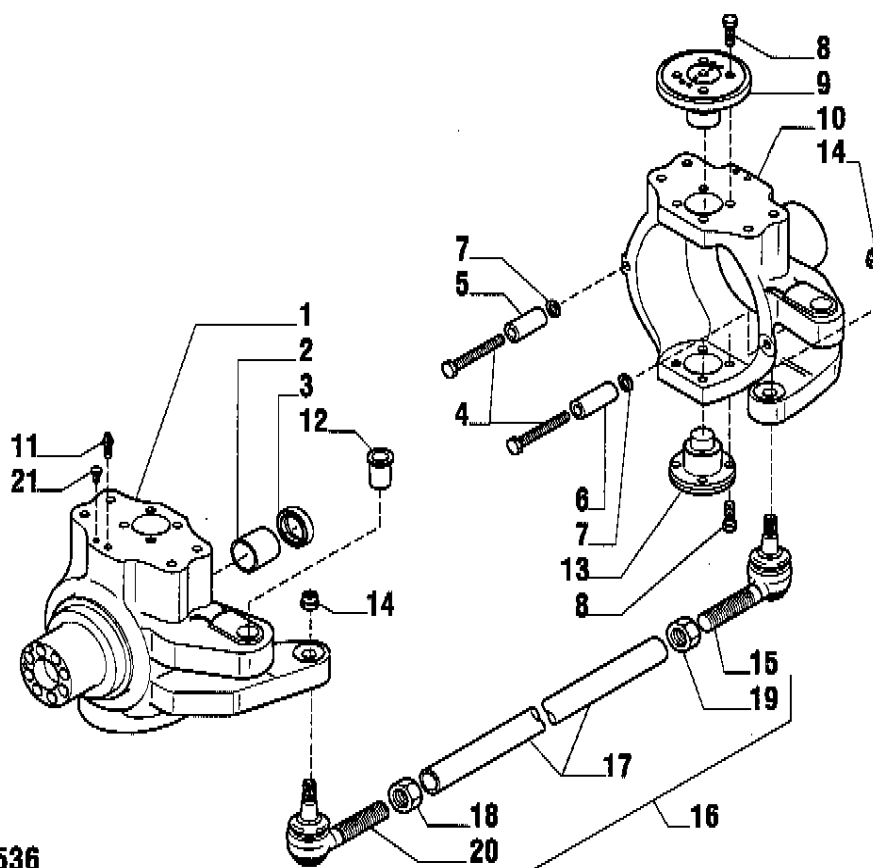
INDEX OF PAGES

- 1.0 Axle housing
- 2.1 Swivel housing and tie rod
- 3.1 Bevel Gear/Pinion Set
- 4.0 Differential
- 5.0 Drive shafts
- 6.1 Wheel hub and epicyclic reduction gears
- 7.0 Potentiometer



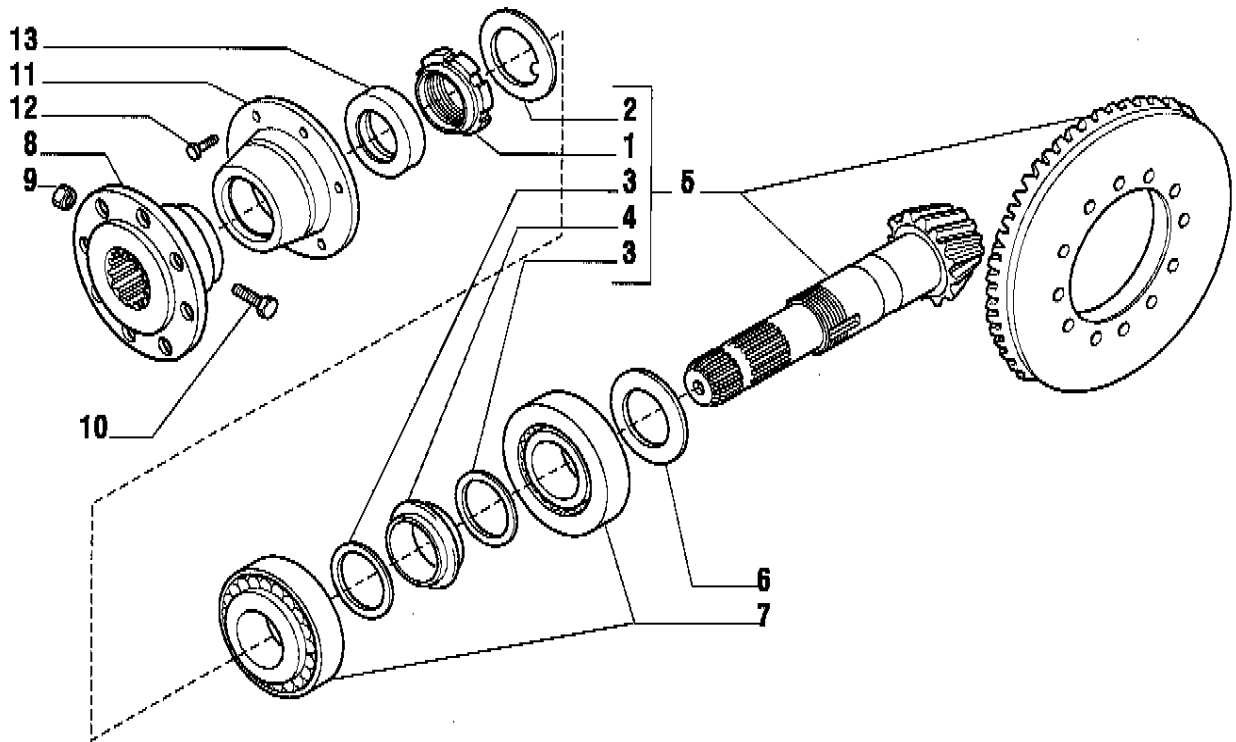
Pos.	Ref.	Q.	Description	Pos.	Ref.	Q.	Description
1	104988	1	Breather M10x1				
2	086266	1	* Axle housing				
3	028216	2	O.ring 2375				
4	127522	2	Outer bush				
5	127520	2	Inner Bush				
6	127521	2	Thrust washer				
7	118675	2	Oil seal "COMBI" 40x55x10				
8	116962	2	Bush				
9	023827	4	Rivet D.3,2				
10	123147	1	Plate				
11	087680	2	Pin D.15x35				
12	072235	4	Centering bush				
13	128022	4	Bolt M14x75				
14	092270	1	Drain plug				
15	125836	1	Differential support Assy				
16	126827	10	Bolt M12x33				
17	128632	2	Belleville washer				
18	128831	2	Belleville washer				
19	131276	2	Spacer washer				
20	-	2	Washer, inner toothed (not serviceable)				
21	027683	2	Bearing				
22	130534	4	Plate				
23	021369	8	Screw M6x10 5739 (Self locking)				
24	128050	1	Drain plug M.24				
25	123860	2	Boccola				

* Includes items pos. 20 and 8



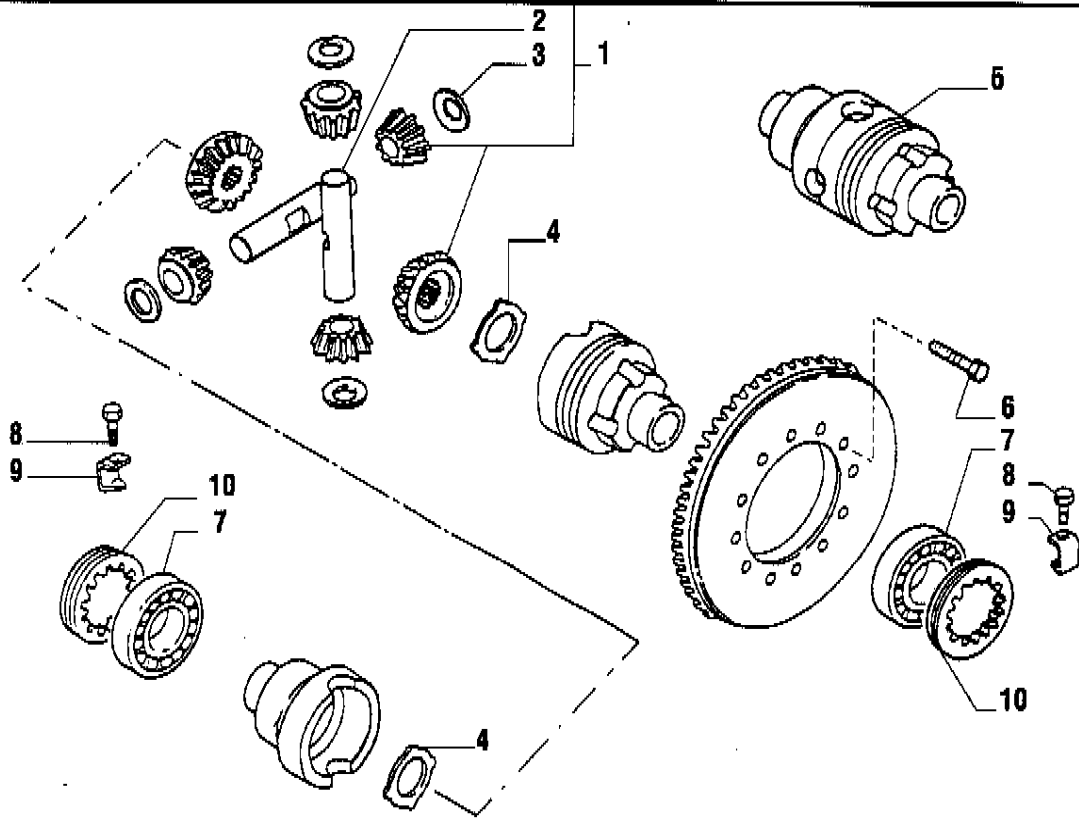
MOD. N° 6536

Pos.	Ref.	Q.ty	Description	Pos.	Ref.	Q.ty	Description
1	134185	1	Swivel housing L.H.				
2	125161	2	Bush				
3	125235	2	Oil seal 48x65x11				
4	123206	4	Bolt M14x95				
5	132162	2	Spacer				
6	132161	2	Spacer				
7	101035	4	Shim 1 mm				
8	126923	16	Bolt M16x2x36 (Self lock.)				
9	131898	2	King pin				
10	134184	1	Swivel housing R.H.				
11	116792	2	Breather M10x1				
12	132099	1	Bush				
13	130428	2	King pin				
14	022431	2	Nut M20x1.5				
15	351209	1	Ball joint R.H.				
16	133437	1	Tie rod assy				
17	134033	1	Tie rod				
18	107759	1	Nut M28x1.5				
19	107760	1	Nut M28x1.5				
20	351238	1	Ball joint L.H.				
21	030740	2	Oil plug M10x1				

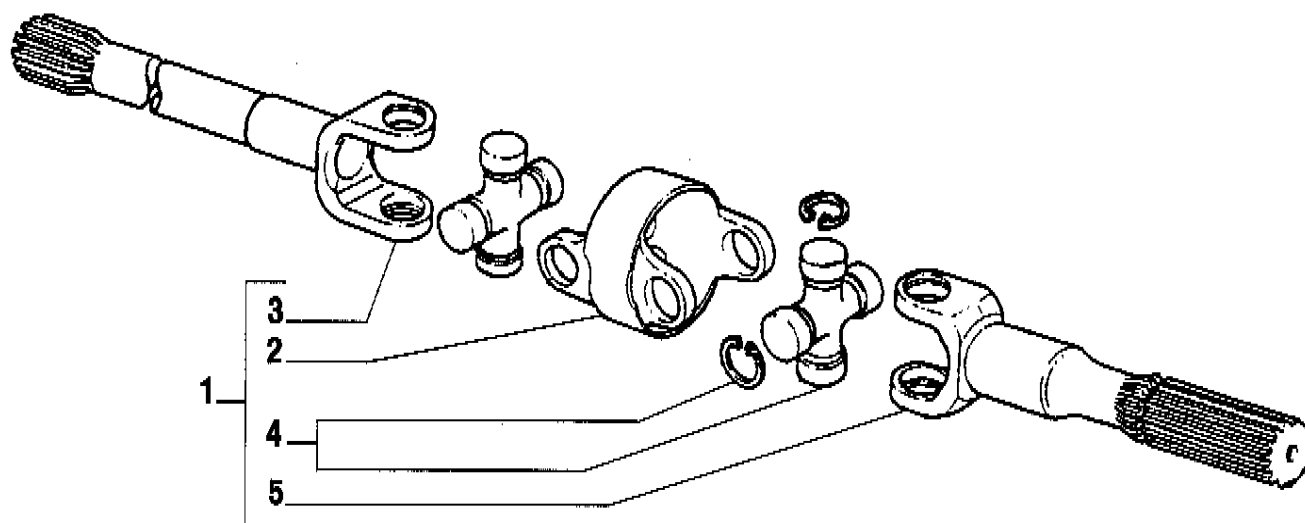


MOD. N° 6207

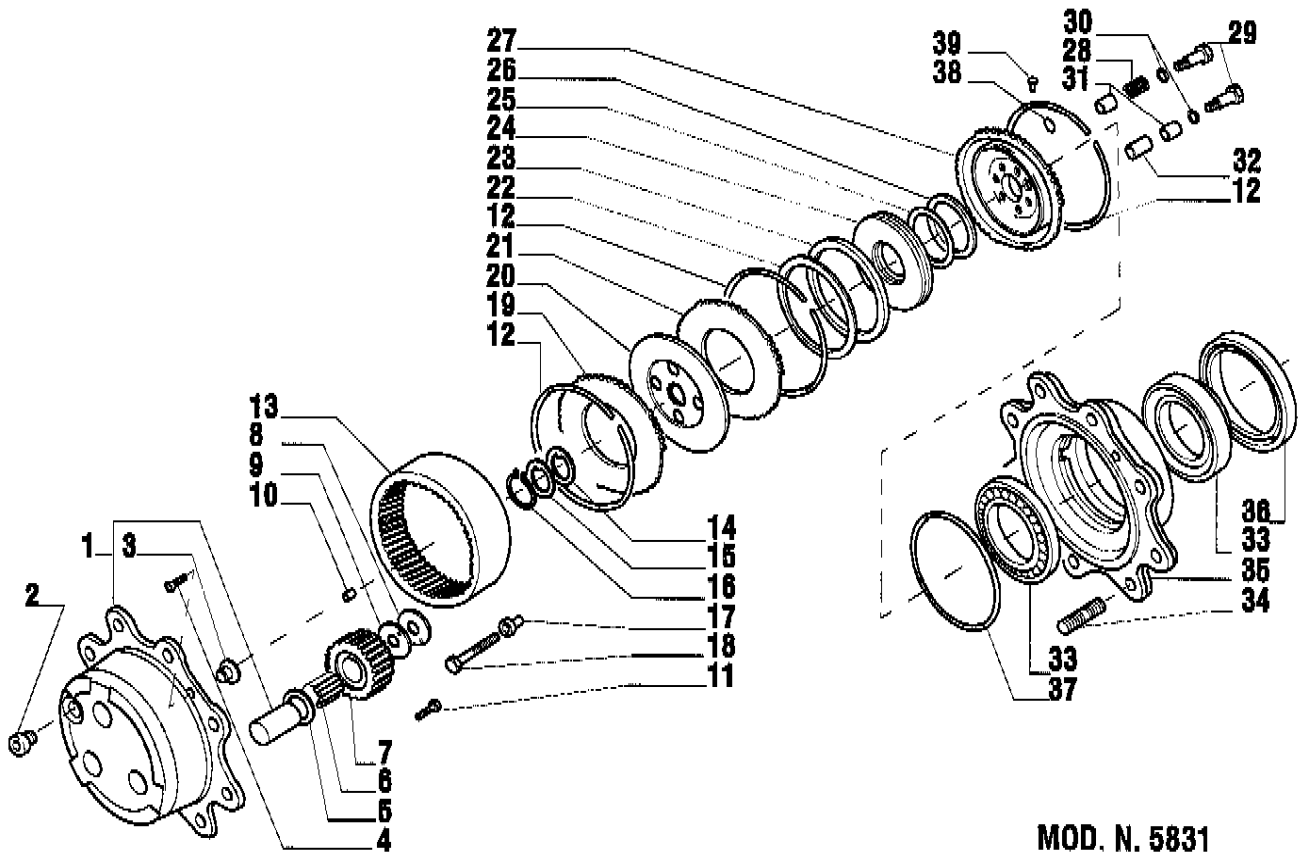
Pos.	Ref.	Q.ty	Description	Pos.	Ref.	Q.ty	Description
1	115054	1	Ring nut				
2	113717	1	Lockwasher				
3	125829	2	Washer				
4	125806	1	Collapsible spacer				
5	065526	1	Bevel gear/pinion set Z=13/31				
6	132265	-	Shim 2,5mm				
6	132266	-	Shim 2,6mm				
6	132267	-	Shim 2,7mm				
6	132268	-	Shim 2,8mm				
6	132269	-	Shim 2,9mm				
6	132270	-	Shim 3,0mm				
6	132271	-	Shim 3,1mm				
6	132272	-	Shim 3,2mm				
6	132273	-	Shim 3,3mm				
6	132274	-	Shim 3,4mm				
7	027350	2	Bearing				
8	117362	1	Flange				
9	022411	2	Nut M10x1.25 (Self lock.)				
10	021106	2	Boit M10x55				
11	116370	1	Cover				
12	020746	6	Screw M6x16				
13	116722	1	Oil seal 35x52x16				



Pos.	Ref.	Q.	Description	Pos.	Ref.	Q.	Description
1	066186	1	Differential kit				
2	116369	2	Shaft				
3	115730	4	Thrust washer				
4	120361	2	Thrust washer				
5	131091	1	Differential housing				
6	125552	12	Bolt M10x1,5x75 (Self locking)				
7	027309	2	Bearing 30210				
8	128440	2	Screw M6x10 (Self locking)				
9	107778	2	Locking plate				
10	107400	2	Ring nut				

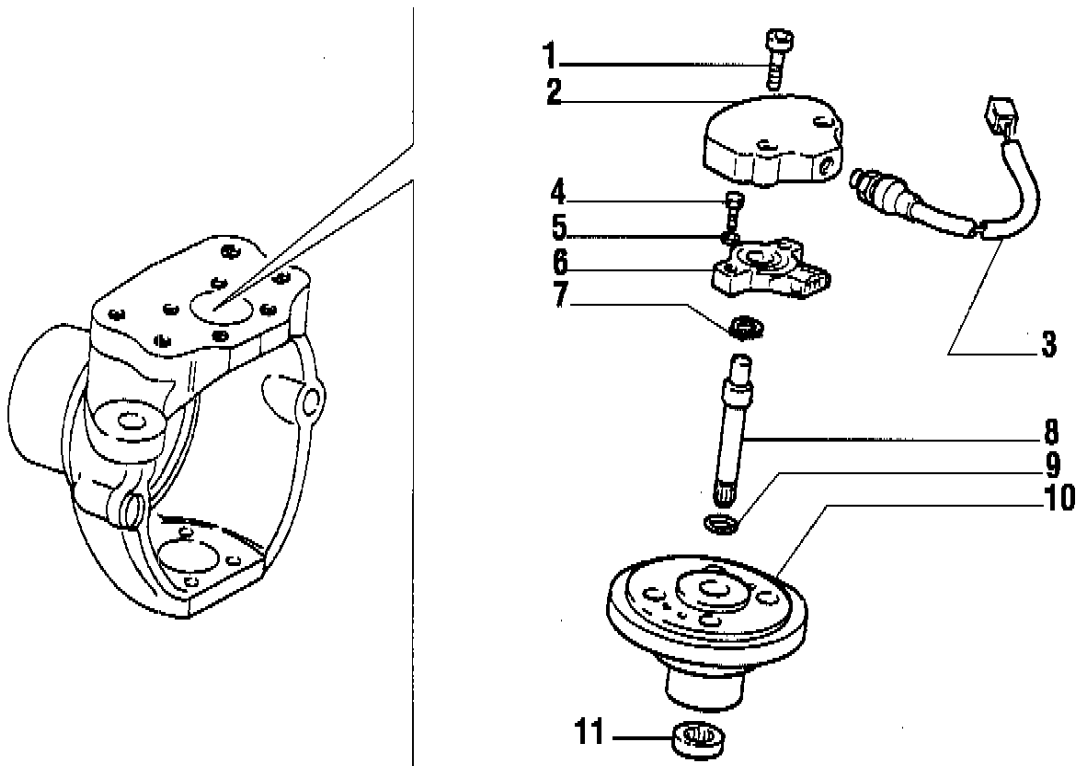


Pos.	Ref.	Q.	Description	Pos.	Ref.	Q.	Description
1	134182	1	Drive shaft B320 52° D				
1	134183	1	Drive shaft B320 52° D				
2	048285	1	Central body				
3	046286	1	Half shaft Differential side (for 134182)				
3	046288	1	Half shaft Differential side (for 134183)				
4	040837	2	Spider				
5	046284	1	Half shaft Wheel side				



MOD. N. 5831

Pos.	Ref.	Q.	Description	Pos.	Ref.	Q.	Description
1	066284	2	Planetary carrier	27	134677	1	Wheel carrier R.H.
2	125280	2	Drain plug	27	134178	1	Wheel carrier L.H.
3	115882	2	Pad	28	126297	6	Spring
4	020490	4	Screw M8x20	29	020754	12	Screw M6x30
5	128731	6	Thrust washer	30	126292	12	Washer
6	028297	16,8	Needle bearing	31	134011	12	Bushing
7	128714	6	Planetary gear	32	123622	6	Split pin
8	125134	6	Washer	33	118370	4	Bearing
9	132319	6	Washer	34	116957	10	Stud
10	134350	6	Pin	35	134230	2	Wheel hub
11	125229	6	Bolt	36	047706	2	Cassette seal
12	125233	6	Ring	37	028642	2	O.ring
13	134235	2	Crown gear	38	028526	4	O. ring
14	132779	4	Ring	39	029835	2	Rivet D6x5,84
15	132780	2	Ring				
16	024800	2	Snap ring				
17	125189	2	Bush				
17	125190	10	Bush				
18	119906	12	Bolt M14x1,5x65				
19	134179	2	Reaction plate				
20	134181	2	Brake disk				
21	134180	2	Reaction plate				
22	124006	2	Antiextrusion ring				
23	121271	2	Quadring				
24	124004	2	Brake piston				
25	124005	2	Antiextrusion ring				
26	123972	2	Quadring				

26.25 FR CARRARO AXLE ref. 134237**Potentiometer****7.0**

Pos.	Ref.	Q.	Description
------	------	----	-------------

Pos.	Ref.	Q.	Description
------	------	----	-------------

1	021397	4	Bolt 8.8 M8x45
2	134715	2	Cover
3	133443	2	Potentiometer
4	020701	4	Bolt 8.8 M4x20
5	023060	4	Washer D4
6	131897	2	Potentiometer
7	024859	2	Seeger D.15
8	131894	2	Potentiometer pin
9	028111	2	O.ring D.1 15,34x2,62
10	-	-	See pos. 9 Tav. 2.0
11	-	-	See pos. 10 Tav. 1.0