

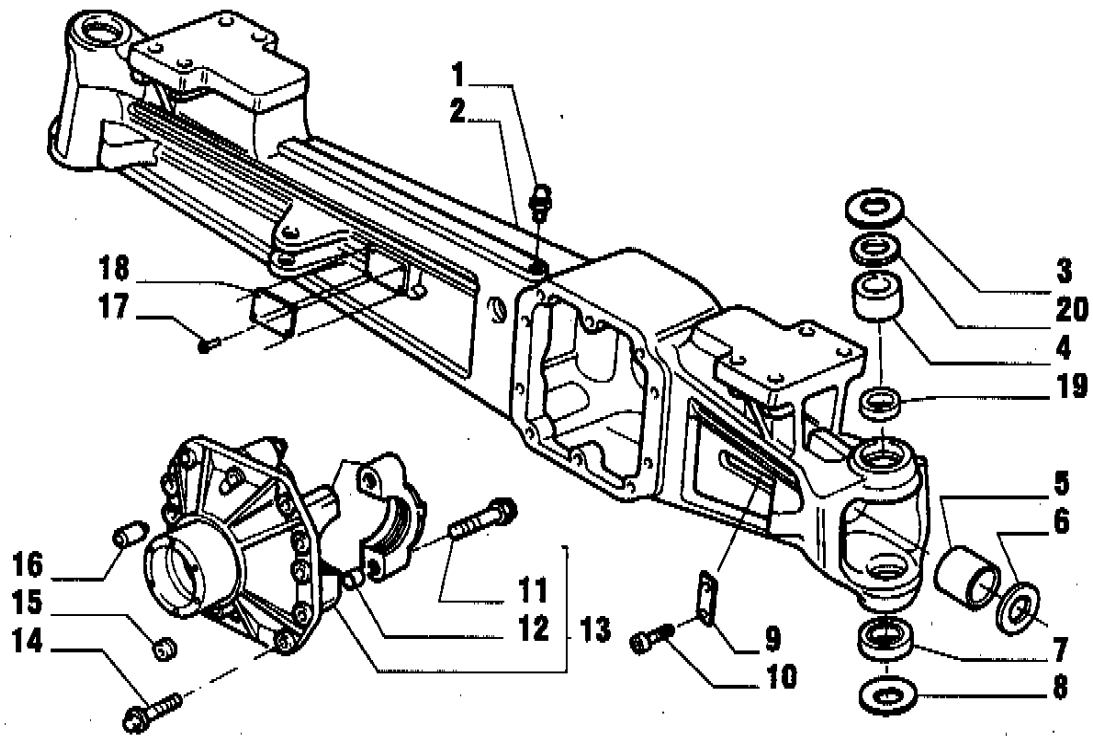
26.22 LP CARRARO AXLE REF.128803

For "MF"

SPARE PARTS LIST

INDEX OF PAGES

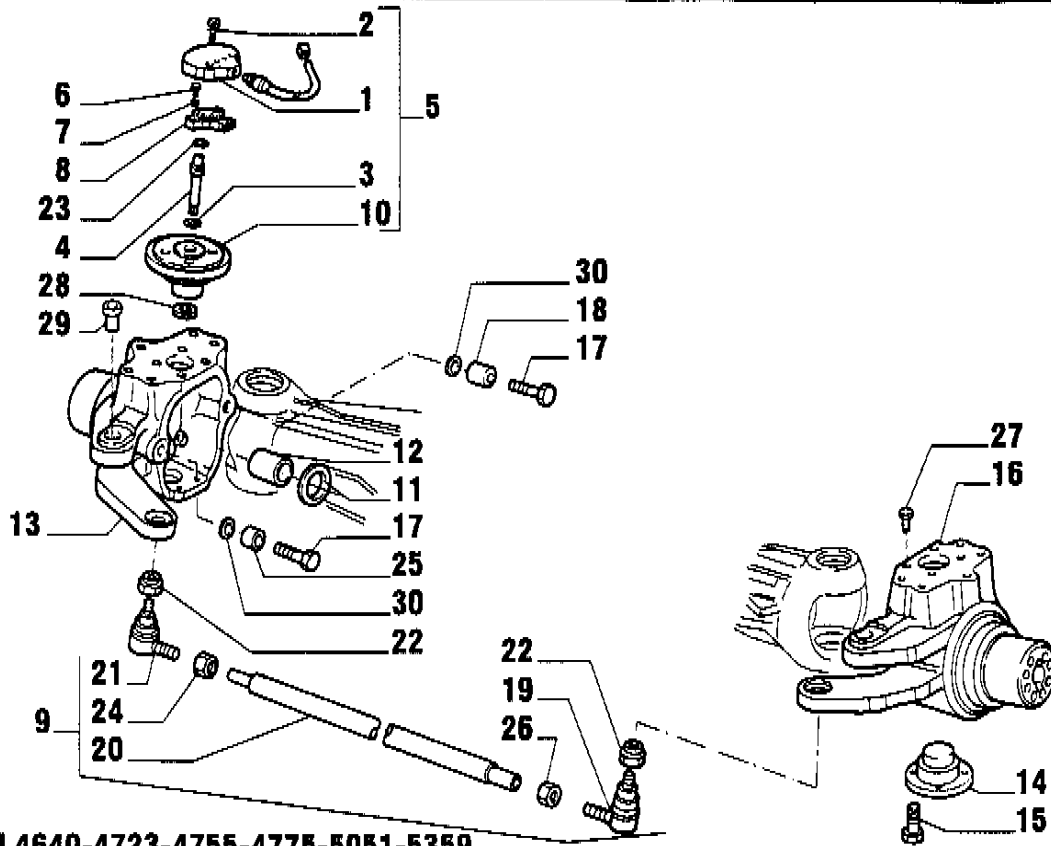
- 1.0 Axle housing
- 2.0 Swivel housings and tie rod
- 3.0 Differential lock
- 4.0 Bevel gear/pinion set
- 5.0 Differential
- 6.0 Drive shafts
- 7.0 Wheel hub and brakes
- 8.0 Epicyclic reduction gears



MOD. N. 4723

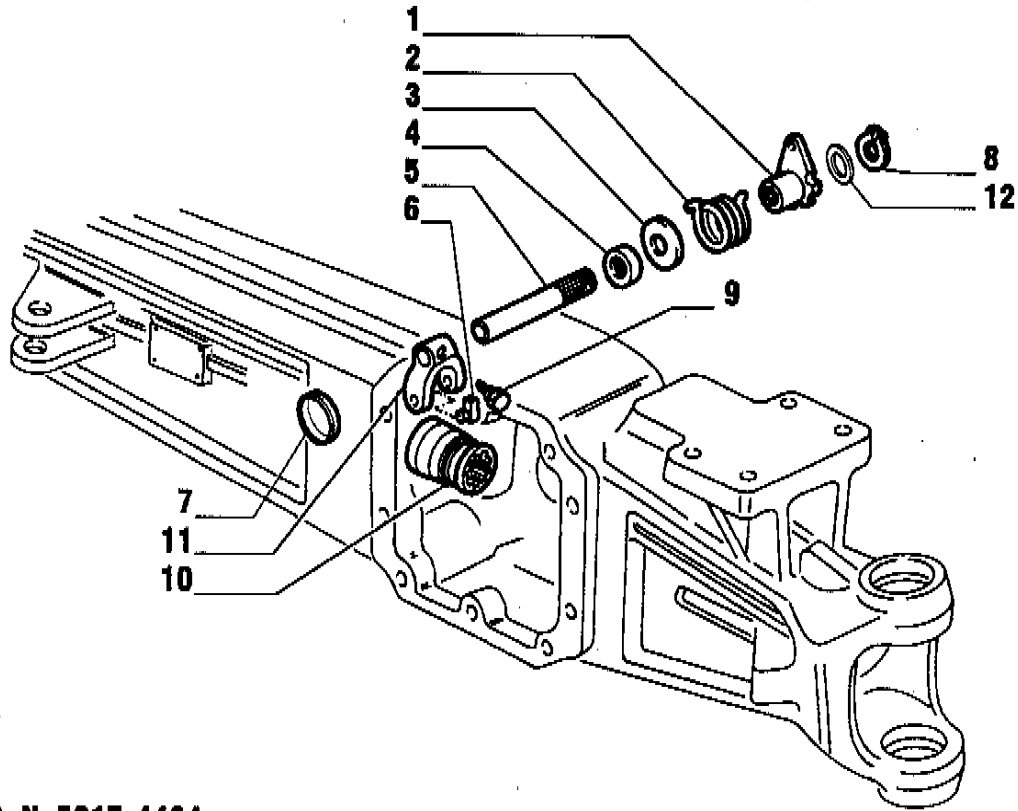
Pos.	Ref.	Q.ty	Description	Pos.	Ref.	Q.ty	Description
1	104988	1	Breather M10x1				
2	066024	1	* Axle housing				
3	128632	2	Belleville washer				
4	123660	2	Bush				
5	118547	2	Bush				
6	116723	2	Oil seal 42x62x14				
7	027693	2	Bearing				
8	128631	2	Belleville washer				
9	130534	4	Plate				
10	021369	8	Screw Socket head M6x10 UNI 5931				
11	126022	4	Bolt 12.9 M14x2x75				
12	072235	4	Centering bush				
13	125838	1	Differential support Assy				
14	125827	10	Bolt 12.9 M12x1.75x33				
15	128050	1	Drain plug M.24				
16	087660	2	Pin D.15x35				
17	023827	4	Rivet D3.2				
18	123147	1	Plate				
19	130430	2	Washer, Inner thoothed (not serviceable)				
20	131276	2	Spacer washer				

* Includes Items pos. 5 and 19



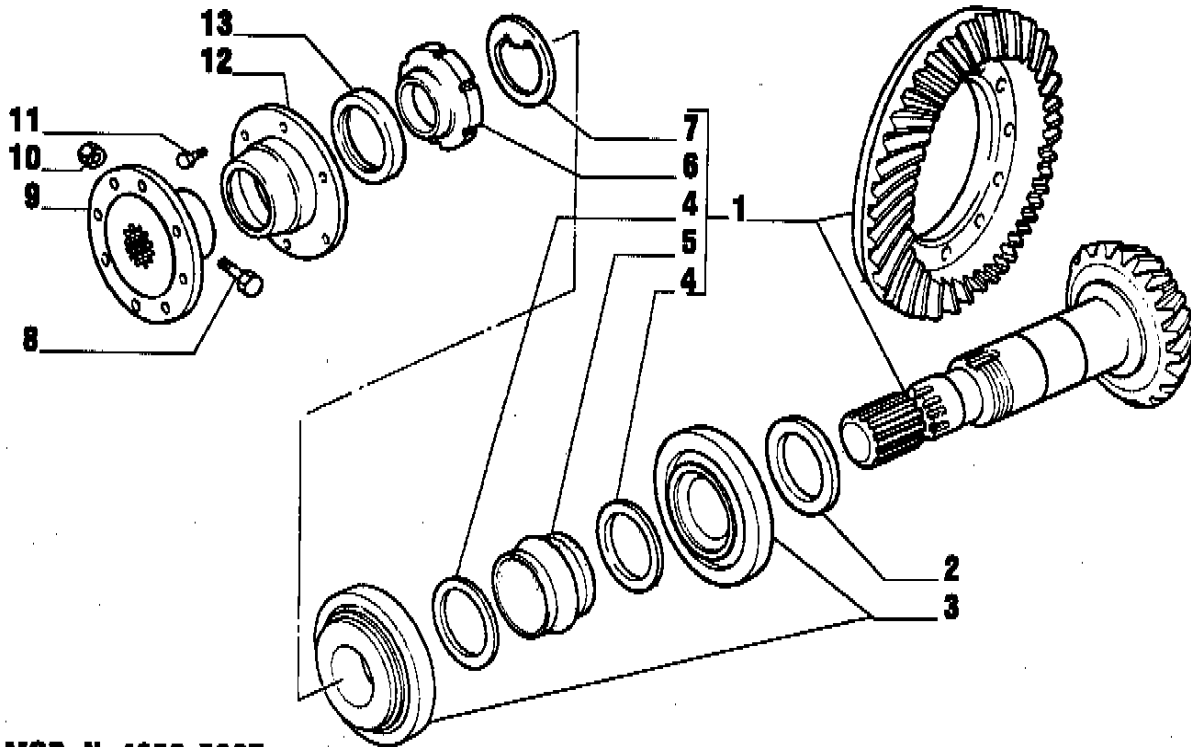
MOD.N.4640-4723-4755-4775-5051-5359

Pos.	Ref.	Q.ty	Description	Pos.	Ref.	Q.ty	Description
1	134715	2	Cover	29	132099	1	Bush (LH thread)
2	021397	4	Screw M6x10 Socket head	30	101035	-	Shim 1mm
3	028111	2	O.ring 119				
4	131894	2	Shaft				
5	133443	2	Potentiometer kit				
6	020701	4	Bolt TE 8.8 M4x20 5739				
7	023080	4	Washer D.4				
8	131897	2	Potentiometer				
9	133437	1	Tie rod assy				
10	131896	2	King pin				
11	118722	2	Oil seal 35x52x16				
12	109972	2	Bush				
13	134031	1	Swivel housing LH				
14	130428	2	King pin				
15	126923	16	Bolt				
16	134030	1	Swivel housing RH				
17	123206	4	Bolt M14x95				
18	132161	2	Spacer				
19	351209	1	Ball joint (RH thread)				
20	134033	1	Tie rod				
21	351238	1	Ball joint (LH thread)				
22	022431	2	Nut M20x1,5 (Self Locking)				
23	024859	2	Snap ring D.12 DIN 471				
24	107760	1	Nut				
25	132162	2	Spacer				
26	107759	1	Nut				
27	030740	2	Plug -Kapsto-				
28	-	-	See page 1.1				



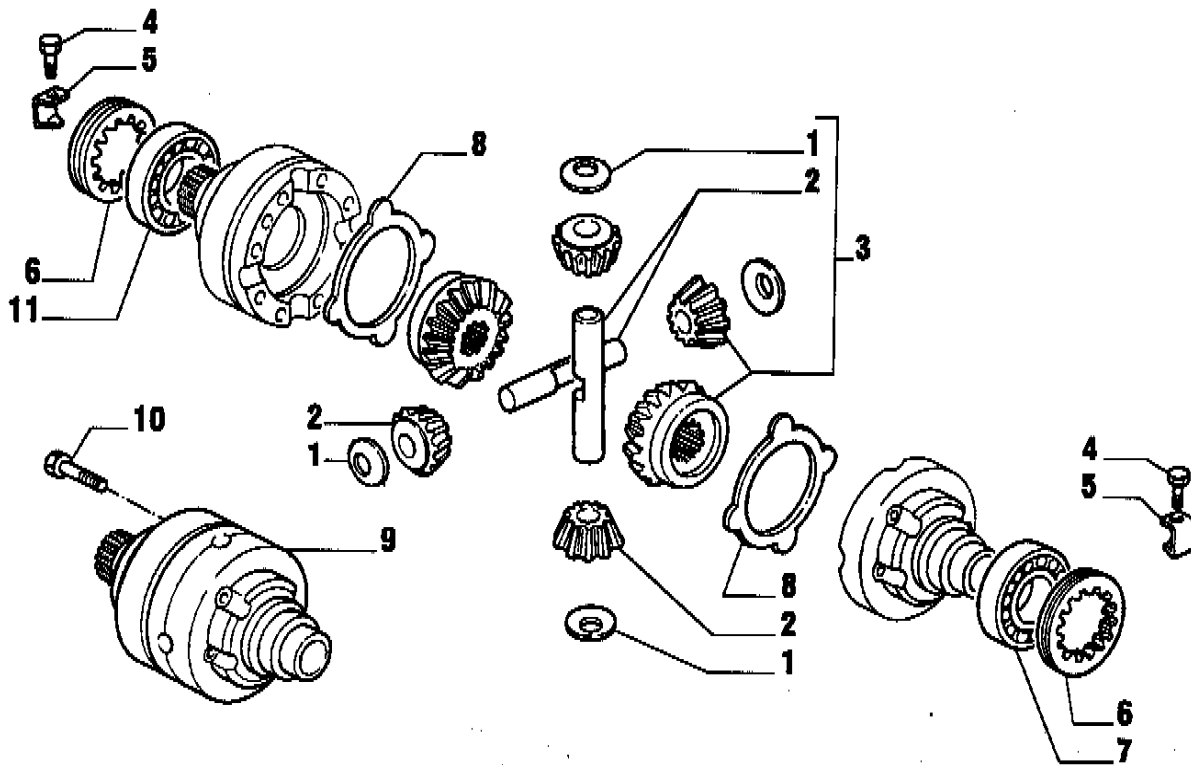
MOD. N. 5017-4424

Pos.	Ref.	Q.ty	Description	Pos.	Ref.	Q.ty	Description
1	122215	1	Lever				
2	127209	1	Spring				
3	117612	1	Washer				
4	025115	1	Oil seal				
5	129826	1	Shaft				
6	108332	2	Pad				
7	105954	1	Plug				
8	024777	1	Snap ring D.22 DIN 471				
9	106333	1	Screw				
10	120507	1	Sleeve				
11	106331	1	Fork				
12	130194	1	Thrust washer				

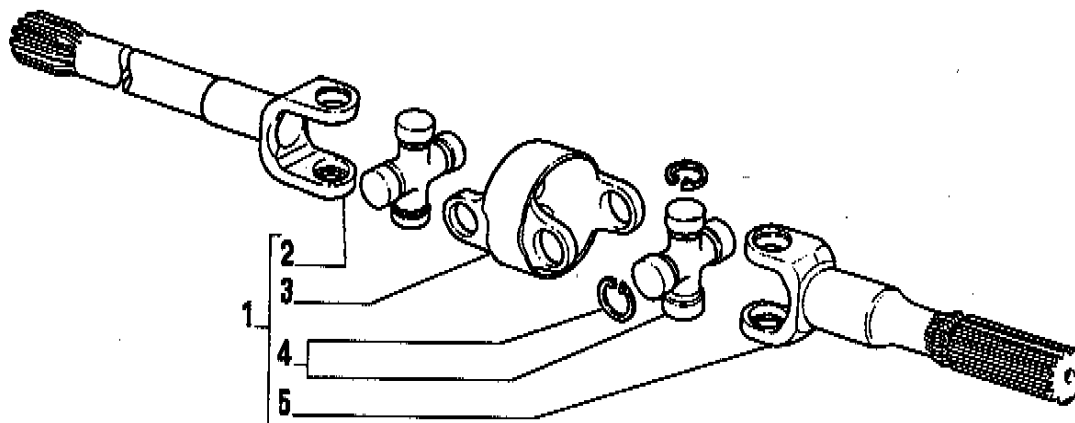


MOD. N. 4853-5207

Pos.	Ref.	Q.ty	Description	Pos.	Ref.	Q.ty	Description
1	065760	1	Bevel gear/pinion set Z=10/32				
2	132265	-	Shim 2.50 mm				
2	132266	-	Shim 2.60 mm				
2	132267	-	Shim 2.70 mm				
2	132268	-	Shim 2.80 mm				
2	132269	-	Shim 2.90 mm				
2	132270	-	Shim 3.00 mm				
2	132271	-	Shim 3.10 mm				
2	132272	-	Shim 3.20 mm				
2	132273	-	Shim 3.30 mm				
2	132274	-	Shim 3.40 mm				
3	130807	2	Bearing 31308				
4	125829	2	Collapsible spacer				
5	125806	1	Spacer				
6	115054	1	Ring nut M40x1,5				
7	113717	1	Lockwasher				
8	021105	2	Bolt M10x60 UNI 5738				
9	117362	1	Flange				
10	022411	2	Nut R80 M10x1,25 (Self locking)				
11	020748	6	Bolt M6x16 5739				
12	116370	1	Cover				
13	116722	1	Oil seal 35x52x16				



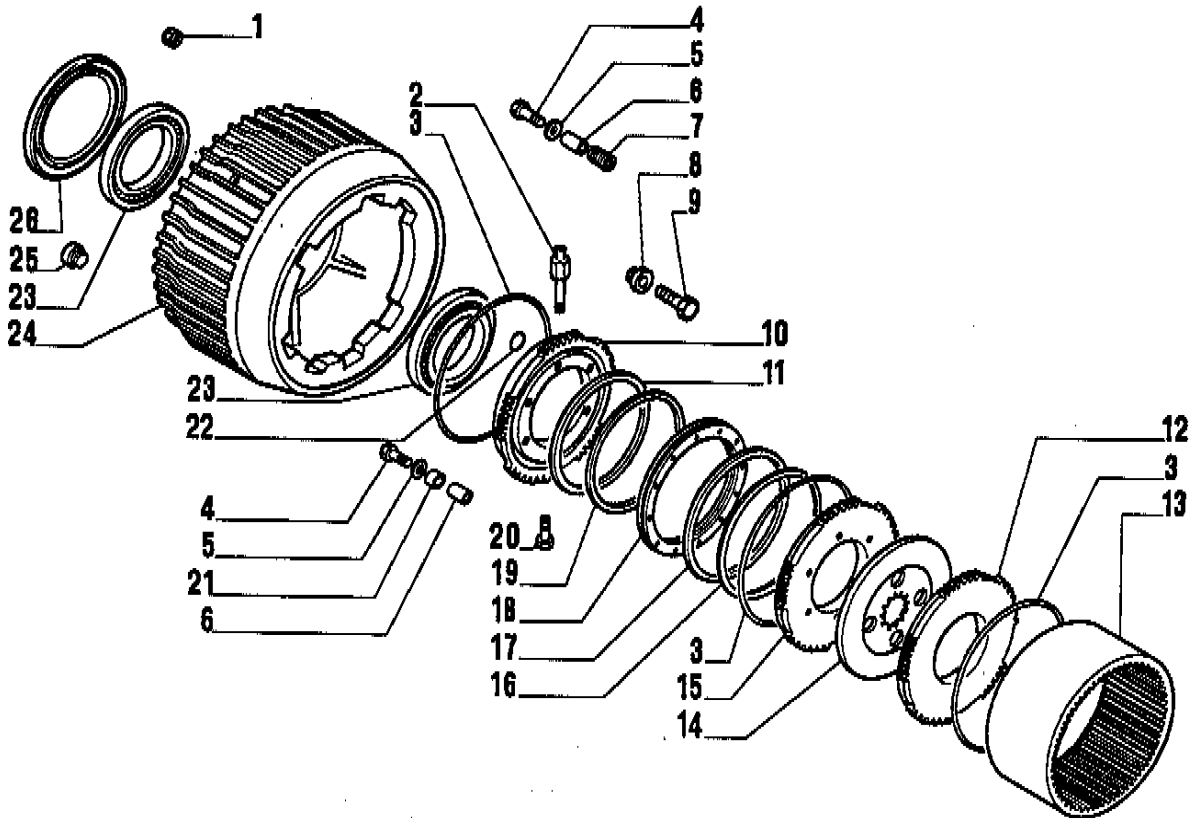
Pos.	Ref.	Q.ty	Description	Pos.	Ref.	Q.ty	Description
1	115730	4	Thrust washer				
2	116369	2	Shaft				
3	066156	1	Differential kit				
4	128440	2	Screw M6x10 (Self locking)				
5	107778	2	Locking plate				
6	107400	2	Ring nut				
7	027309	1	Bearing 30210				
8	120361	2	Thrust washer				
9	120676	1	Differential housing				
10	125552	12	Bolt 12.9 M10x1,5x75 (Self-locking)				
11	027256	1	Bearing 32011X				



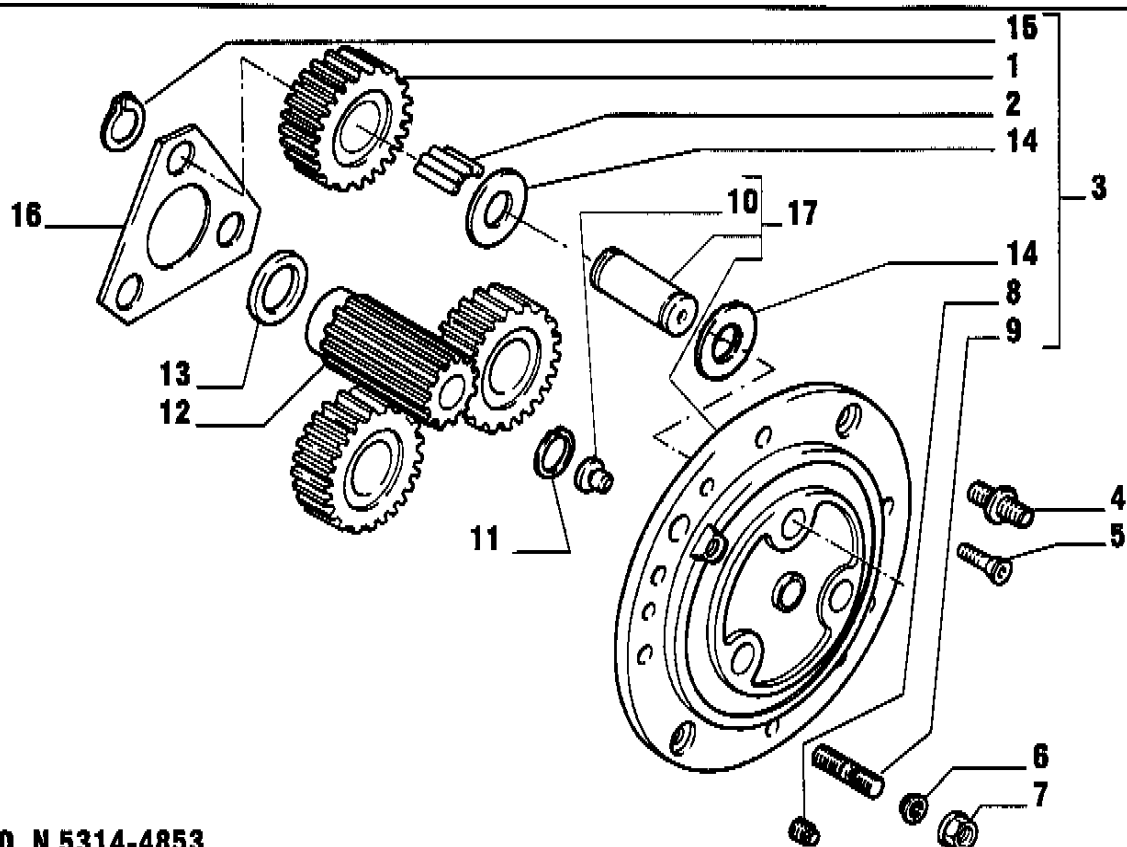
Pos.	Ref.	Q.ty	Description	Pos.	Ref.	Q.ty	Description
1	128615	1	Drive shaft				
1	128616	1	Drive shaft				
2	046256	1	** Half shaft (differential side)				
2	046258	1	* Half shaft (differential side)				
3	040835	2	Central body				
4	040869	4	Spider				
5	046257	2	Half shaft (wheel side)				

* Only for drive shaft 128615

** Only for drive shaft 128616



Pos.	Ref.	Q.ty	Description	Pos.	Ref.	Q.ty	Description
1	021585	2	Drain plug M.22x1,5 DIN 906	26	047705	2	Cassette seal
2	121584	2	Breather plug				
3	125555	6	Lockring				
4	020754	12	Bolt M6x30 UNI 5739				
5	126292	12	Washer D.6,2x17,5x2				
6	126286	12	Bush				
7	126297	6	Spring				
8	125189	2	Centering bush D.24				
8	125190	12	Centering bush D.20				
9	119906	15	Screw 10,9 M14x1,5x65 (Self lock.)				
10	125221	1	Wheel carrier L.H.				
10	125222	1	Wheel carrier R.H.				
11	123972	2	Quadring 168,6x3,5				
12	123166	2	Reaction plate				
13	123150	2	Crown gear				
14	121656	2	Brake disc				
15	125219	2	Reaction plate				
16	124006	2	Antiextrusion ring D.184,1-2,95				
17	121271	2	Ring				
18	124004	2	Brake piston				
19	124005	2	Antiextrusion ring D.170,1-2,95				
20	125728	2	Screw				
21	123622	6	Split pin D18x20				
22	028526	2	O. ring 2031				
23	118370	4	Bearing 37431A/37625				
24	121784	2	Wheel hub				
25	125280	2	Oil plug				



MOD. N.5314-4853

Pos.	Ref.	Q.ty	Description	Pos.	Ref.	Q.ty	Description
1	130293	6	Planetary carrier				
2	028294	18	Needle bearing (by tens)				
3	066133	2	Planetary carrier assy				
4	120863	4	Stud with collar				
5	020510	4	Screw 10.9 M12x30 UNI 5933				
6	119506	16	Washer C18,5 DIN 74361/2B				
7	115812	16	Nut DIN 74361/2B				
8	092270	2	Oil plug M22x1.5				
9	106199	12	Stud				
10	115882	2	Thrust pin				
11	024784	2	Snap ring D.29 - DIN 471				
12	121626	2	Sleeve				
13	120079	2	Thrust washer				
14	115634	12	Thrust washer				
15	024789	6	Snap ring D.34 DIN 471				
16	116458	2	Thrust washer				
17	066132	2	Planetary carrier				