



CARRARO

Catalogo Parti Di Ricambio

Spare Parts List

Catalogue Pieces De Rechange

Ersatzteilkatalog

ASSALE 28.28UP-180

AXLE 28.28UP-180

PONT 28.28UP-180

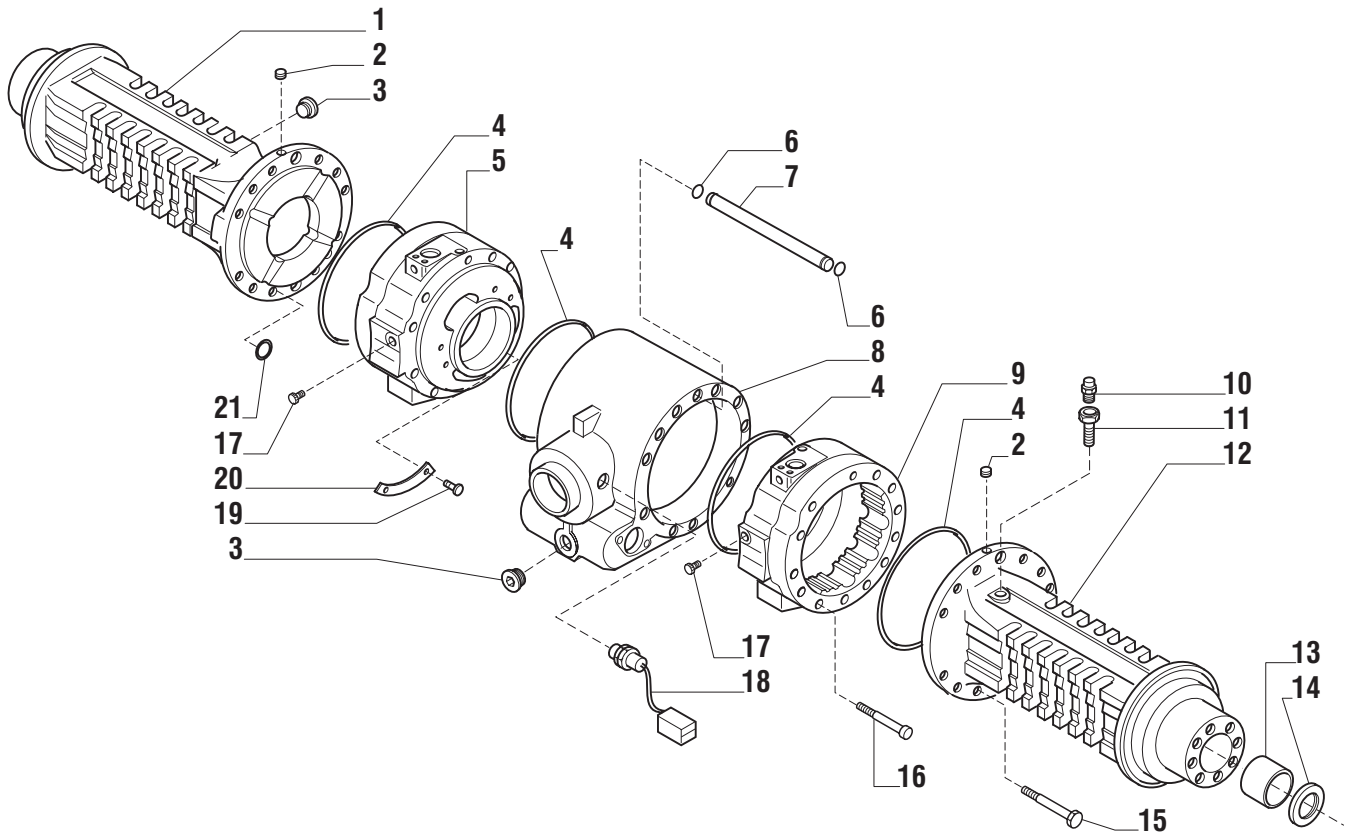
ACHSE 28.28UP-180

REF. 139006

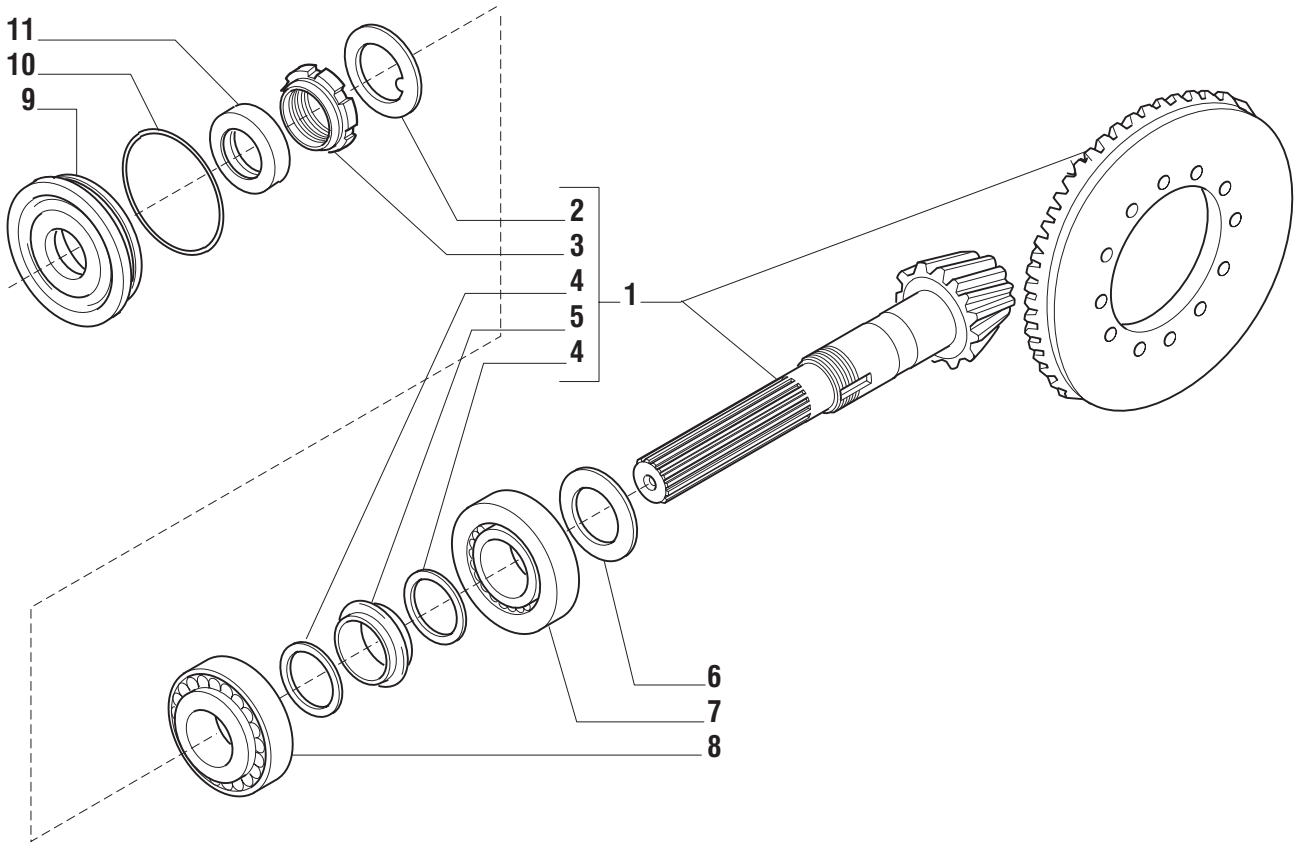
**INDICE
INDEX
INDEX
INDEX**

1.0.1	Corpo assale Axle housing Corps du pont Zentralgehäuse	5.0.0	Freni Brakes Freins Bremsen
2.0.0	Coppia conica Bevel gear/pinion set Couple conique Kegelradgetriebe	6.0.0	Comando freni Brakes control Contrôle de freins Bremsenantrieb
3.0.1	Differenziale Differential Différentiel Differential	7.0.0	Mozzo ruota Wheel hub Moyeu de roue Radnabe
3.0.0	Differenziale Differential Différentiel Differential	8.0.1	Riduzione epicicloidale Epicycloidal reduction gears Réduction épicycloïdal Planetengetriebe
4.0.0	Bloccaggio differenziale Differential locking Blocage différentiel Differentialsperre	8.0.0	Riduzione epicicloidale Epicycloidal reduction gears Réduction épicycloïdal Planetengetriebe
5.0.1	Freni Brakes Freins Bremsen	9.0.0	Sommario kit Kit summary Sommaire kit Ersatzteil-Sets

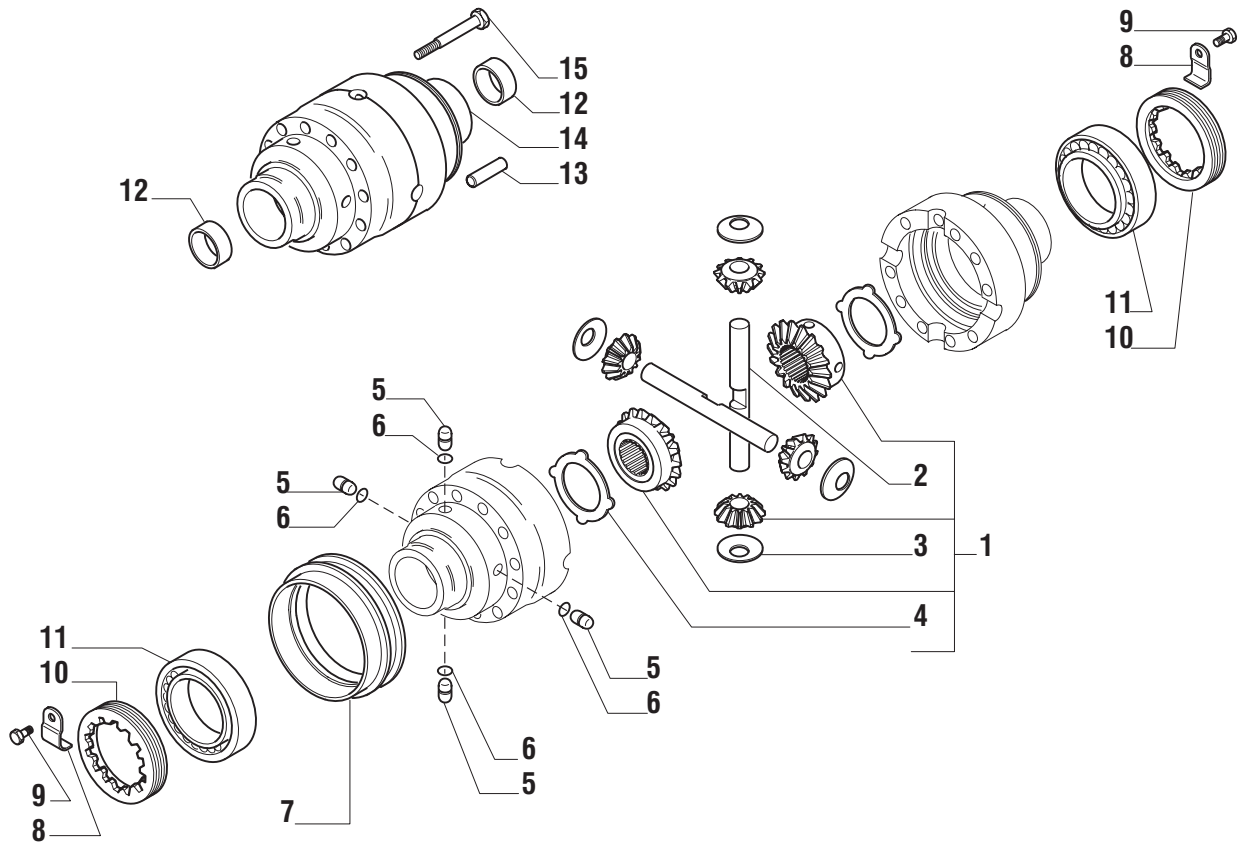
**Il presente catalogo è valido a partire dal N° di matricola 101.
This catalogue is valid from serial number 101.
Ce catalogue est valable à commencer du numéro 101.
Der vorliegende katalog ist gültig ab Serienmr. 101.**



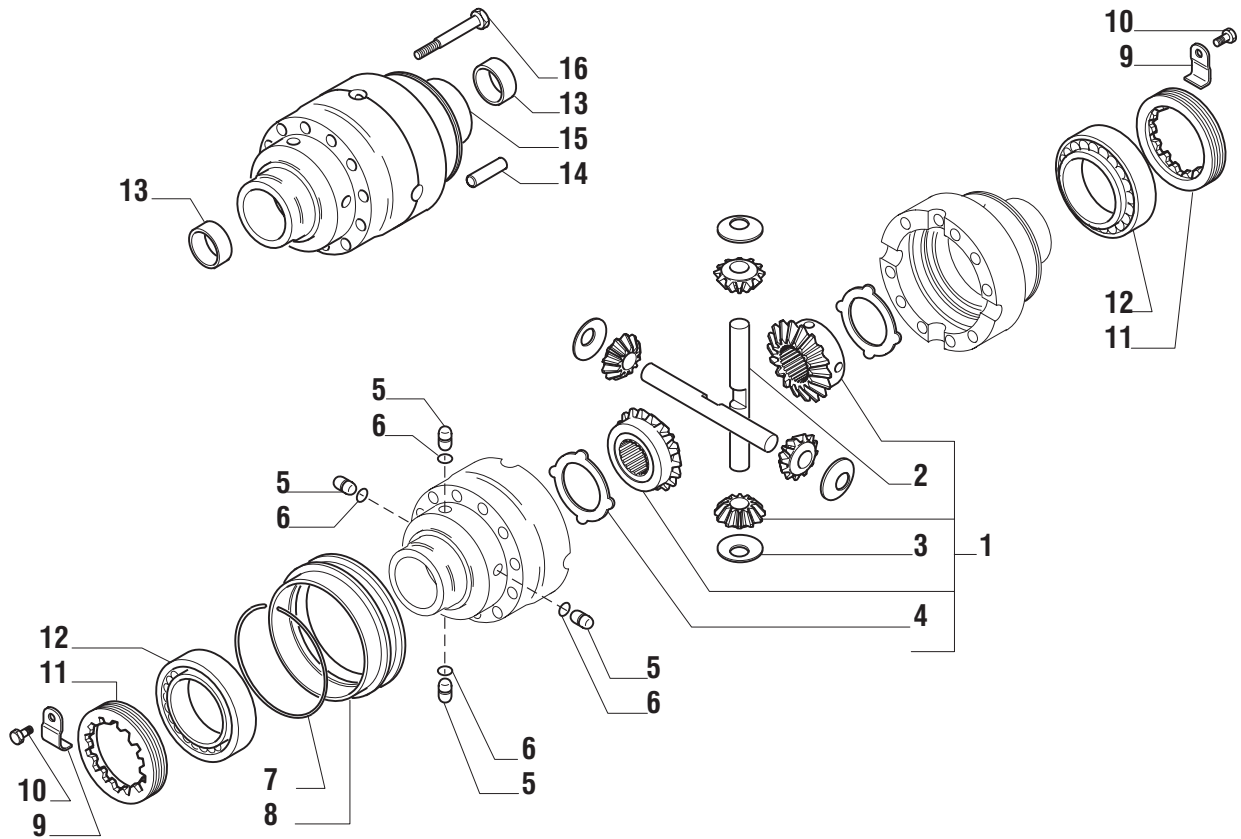
Pos.	Ref.	Q.ty	Descrizione	Description	Kit	From S/N	To S/N	Note
1	139357	1	Tromba trave SX	Beam trumpet LH				
2	021558	1	Tappo M10x1	Plug M10x1				
3	125280	2	Tappo M30x2	Plug M30x2				
4	028562	4	Anello OR	O.ring				
5	138816	1	Cilindro freno SX	Brake cylinder LH		101	...	
5	141012	1	Cilindro freno SX	Brake cylinder LH		
6	028140	2	Anello OR	O.ring		101	...	
6	028595	2	Anello OR	O.ring		
7	140132	1	Tubo ricircolo aria	Pipe				
8	139544	1	Corpo centrale	Central body				
9	138817	1	Cilindro freno DX	Brake cylinder RH		101	...	
9	141013	1	Cilindro freno DX	Brake cylinder RH		
10	104988	1	Sfiato M10x1	Breather M10x1				
11	121618	1	Prolunga sfiato	Breather pipe				
12	139356	1	Tromba trave DX	Beam trumpet RH				
13	131954	2	Bronzina	Bush				
14	025311	2	Anello tenuta	Seal ring				
15	021166	22	Vite M14x140	Bolt M14x140				
16	021314	2	Vite M12x130	Bolt M12x130				
17	030803	2	Tappo	Plug				
18	134347	1	Sensore temperatura	Sensor				
19	023838	4	Rivetto 4.8x6	Rivet 4.8x6				
20	140647	2	Riga chiusura foro olio	Plate				
21	028500	8	Anello OR	O.ring				



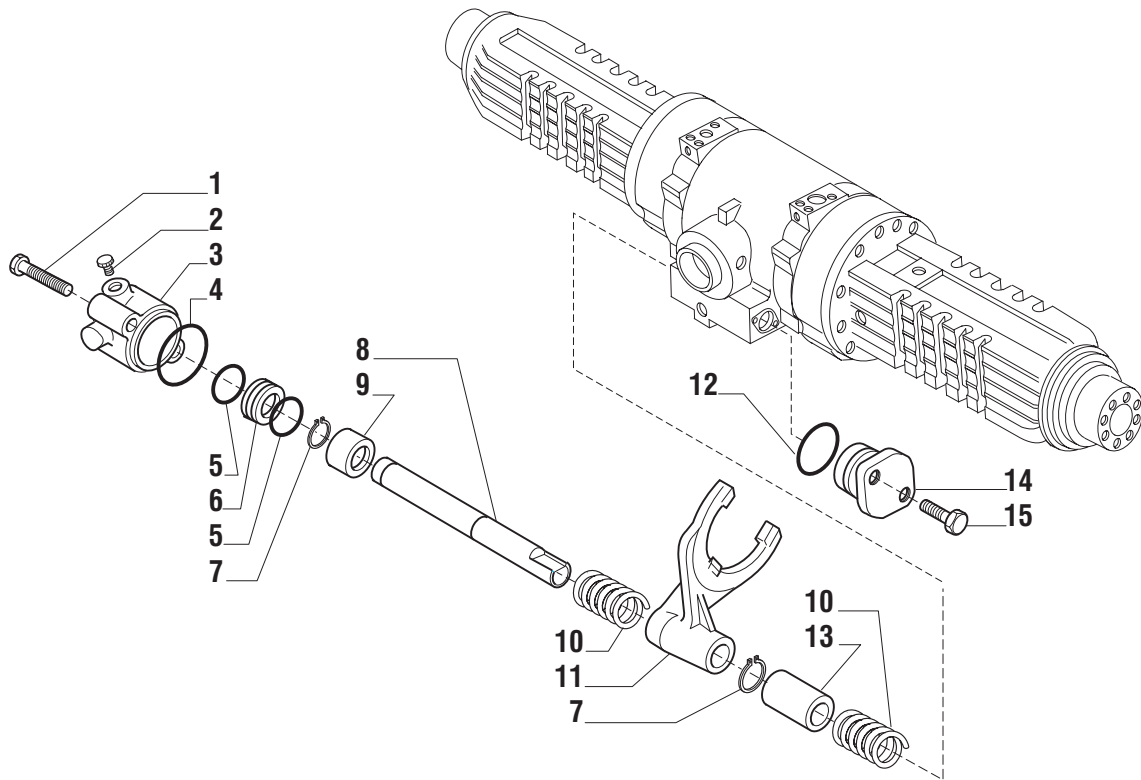
Pos.	Ref.	Q.ty	Descrizione	Description	Kit	From S/N	To S/N	Note
1	066689	1	Coppia conica Z=11/32	Bevel gear/Pinion Z=11/32				
2	113717	1	Rondella fermo ghiera	Lockwasher	066689			
3	115054	1	Ghiera M40x1.5	Ring nut M40x1.5	066689			
4	125829	2	Rondella 50x40.5x2	Washer 50x40.5x2	066689			
5	138692	1	Distanziale elastico	Collapsible spacer	066689			
6	134186	-	Spessore 2.50mm	Shim 2.50mm				
6	134187	-	Spessore 2.60mm	Shim 2.60mm				
6	134188	-	Spessore 2.70mm	Shim 2.70mm				
6	134189	-	Spessore 2.80mm	Shim 2.80mm				
6	134190	-	Spessore 2.90mm	Shim 2.90mm				
6	134191	-	Spessore 3.00mm	Shim 3.00mm				
6	134192	-	Spessore 3.10mm	Shim 3.10mm				
6	134193	-	Spessore 3.20mm	Shim 3.20mm				
6	134194	-	Spessore 3.30mm	Shim 3.30mm				
6	134195	-	Spessore 3.40mm	Shim 3.40mm				
7	027351	1	Cuscinetto	Bearing				
8	027350	1	Cuscinetto	Bearing				
9	129929	1	Coperchio paraolio	Cover				
10	028212	1	Anello OR	O.ring				
11	134363	1	Anello di tenuta 35x52x16	Oil seal 35x52x16				



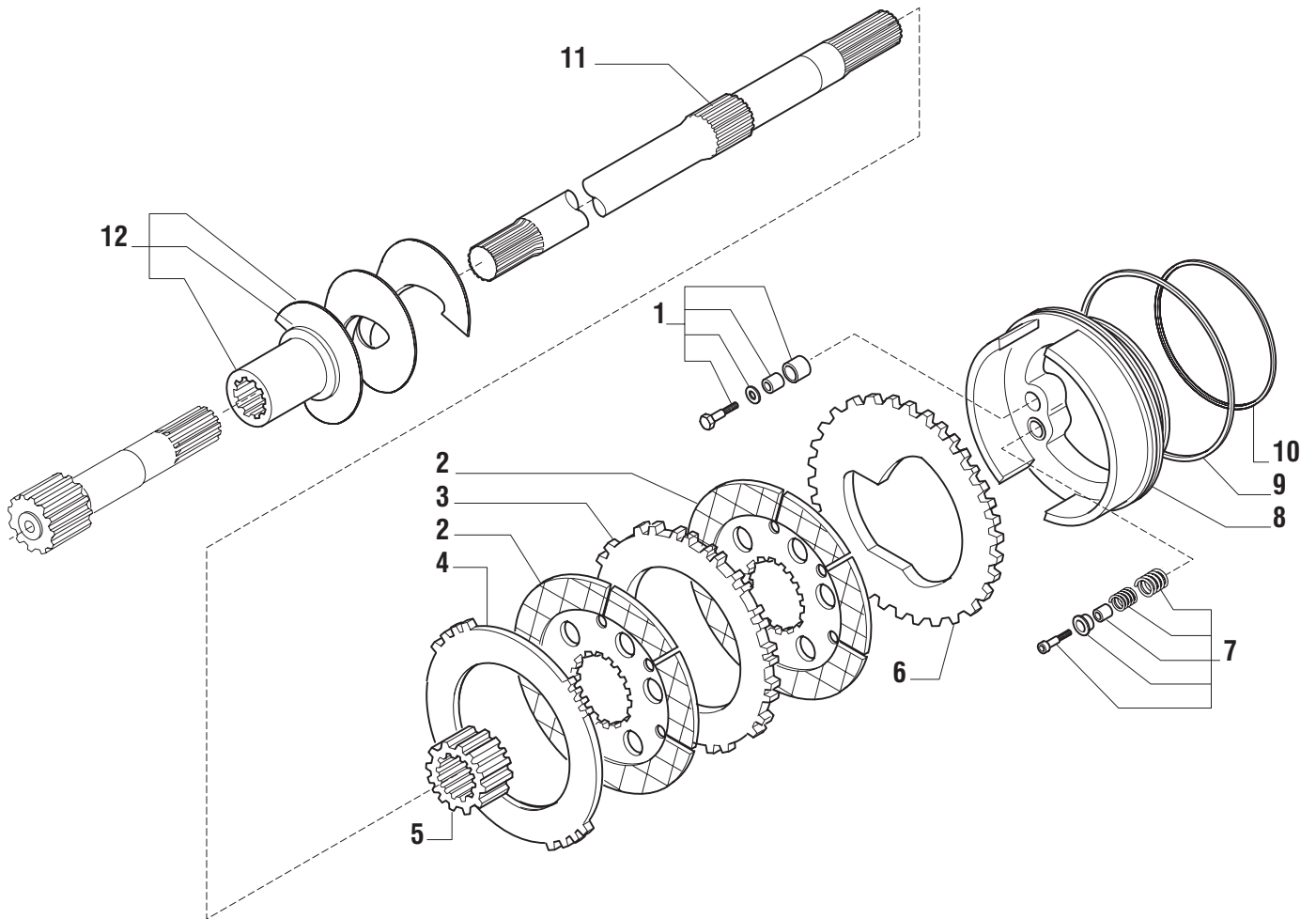
Pos.	Ref.	Q.ty	Descrizione	Description	Kit	From S/N	To S/N	Note
1	066572	1	Kit ingr. differenziale	Differential kit				
2	133035	2	Perno	Shaft	066572			
3	117171	4	Rondella spallamento	Thrust washer	066572			
4	133036	2	Controdisco	Drive plate	066572			
5	138651	4	Piolo	Pin				
6	028219	4	Anello OR	O.ring				
7	139916	1	Manicotto scorrevole	Sleeve				
8	129118	2	Fermo ghiera	Locking plate				
9	128440	2	Vite M6x10 (Atbl.)	Bolt M6x10 (Self lock.)				
10	125445	2	Ghiera M104x2	Ring nut M104x2				
11	027367	2	Cuscinetto	Bearing				
12	131747	2	Bronzina	Bush				
13	117569	2	Spina D12x40	Pin D12x40				
14	138654	1	Scatola differenziale	Differential housing				
15	125551	10	Vite M12x90 (Atbl.)	Bolt M12x90 (Self lock.)				



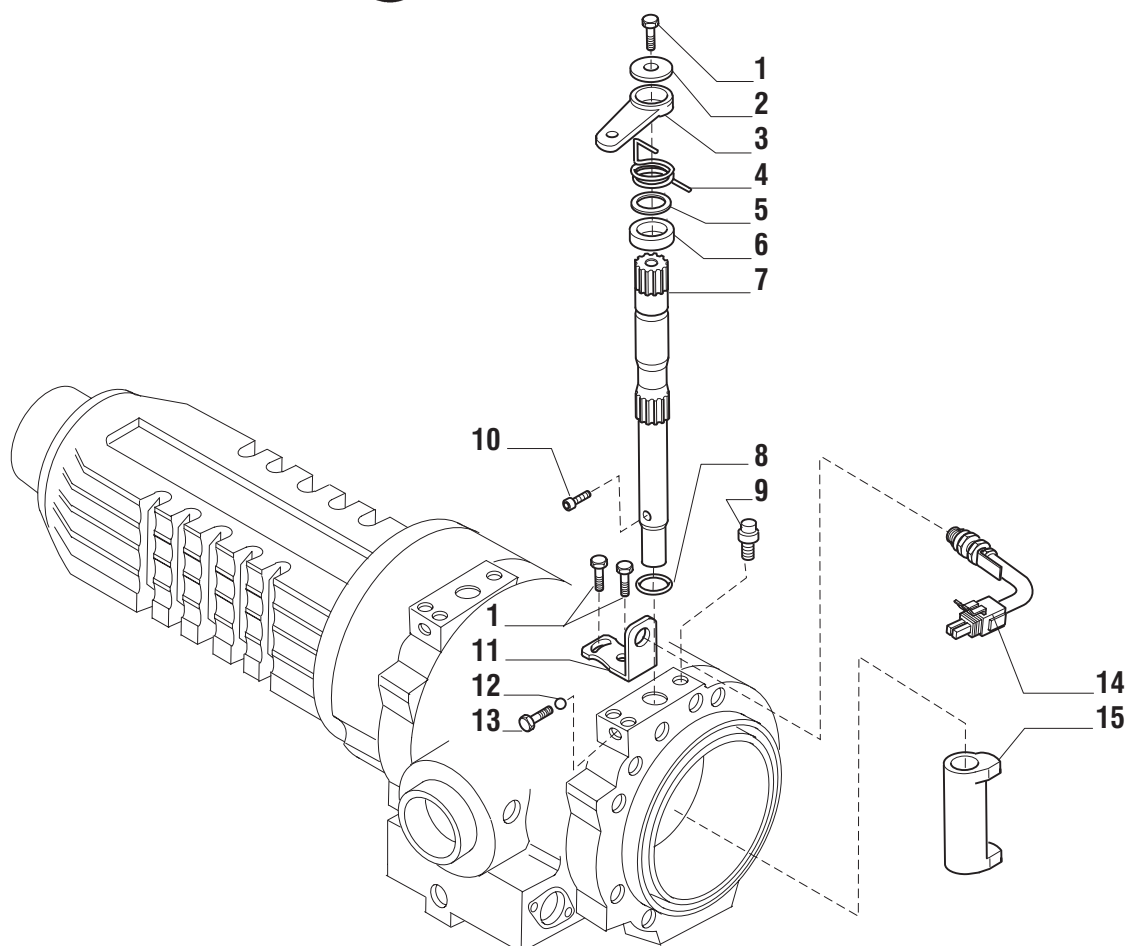
Pos.	Ref.	Q.ty	Descrizione	Description	Kit	From S/N	To S/N	Note
1	066572	1	Kit ingr. differenziale	Differential kit				
2	133035	2	Perno	Shaft	066572			
3	117171	4	Rondella spallamento	Thrust washer	066572			
4	133036	2	Controdisco	Drive plate	066572			
5	138651	4	Piolo	Pin				
6	028219	4	Anello OR	O.ring				
7	025077	1	Anello	Ring				
8	131592	1	Manicotto scorrevole	Sleeve				
9	129118	2	Fermo ghiera	Locking plate				
10	128440	2	Vite M6x10 (Atbl.)	Bolt M6x10 (Self lock.)				
11	125445	2	Ghiera M104x2	Ring nut M104x2				
12	027367	2	Cuscinetto	Bearing				
13	131747	2	Bronzina	Bush				
14	117569	2	Spina D12x40	Pin D12x40				
15	138654	1	Scatola differenziale	Differential housing				
16	125551	10	Vite M12x90 (Atbl.)	Bolt M12x90 (Self lock.)				



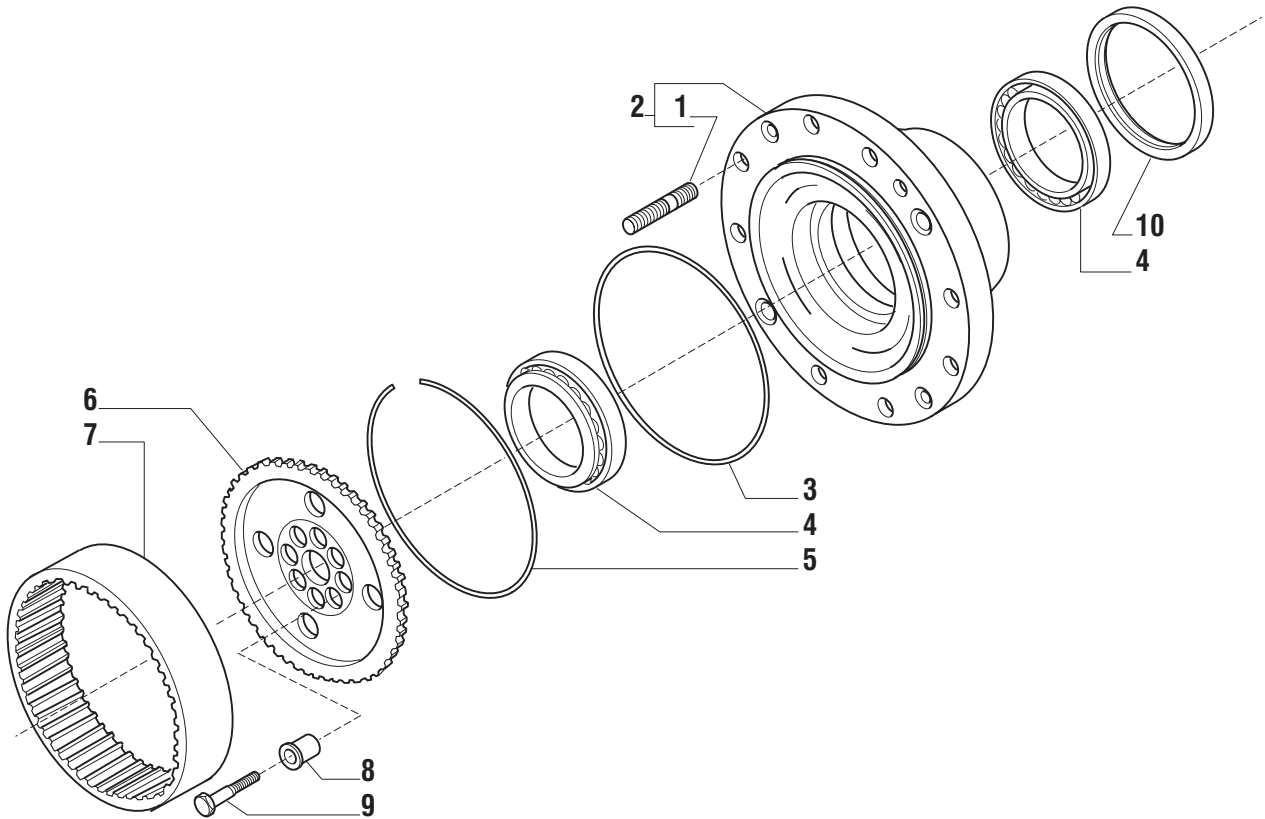
Pos.	Ref.	Q.ty	Descrizione	Description	Kit	From S/N	To S/N	Note
1	020807	2	Vite M8x80	Bolt M8x80				
2	030720	1	Tappo	Plug				
3	139131	1	Supporto	Support				
4	028527	1	Anello OR	O.ring				
5	028121	2	Anello OR	O.ring				
6	139139	1	Pistone bloc. diff.	Piston				
7	024776	2	Anello seeger 20x1.75	Snap ring 20x1.75				
8	139141	1	Perno	Shaft				
9	139140	1	Bussola 35.93x20x32	Bush 35.93x20x32				
10	125756	2	Molla	Spring				
11	130311	1	Forcella	Fork				
12	028557	2	Anello OR	O.ring				
13	129032	1	Distanziale	Spacer				
14	126143	1	Coperchio	Cover				
15	020793	2	Vite M8x30	Bolt M8x30				



Pos.	Ref.	Q.ty	Descrizione	Description	Kit	From S/N	To S/N	Note
1	066679	2	Kit self-adjust	Self-adjust kit				
2	136132	4	Disco freno	Brake plate				
3	136644	2	Controdisco freno	Brake drive-plate				
4	136155	2	Controdisco freno	Brake drive-plate				
5	134745	2	Mozzo traino freno	Hub				
6	134740	2	Controdisco freno	Brake drive-plate				
7	066678	2	Kit self-adjust	Self-adjust kit				
8	141259	2	Pistone freno	Brake piston				
9	133757	2	Anello Quadring	Quadring				
10	139231	2	Anello Quadring	Quadring				
11	139359	2	Semiasse	Half-shaft				
12	138947	1	Coclea elica DX	Auger RH				
12	138949	1	Coclea elica SX	Auger LH				

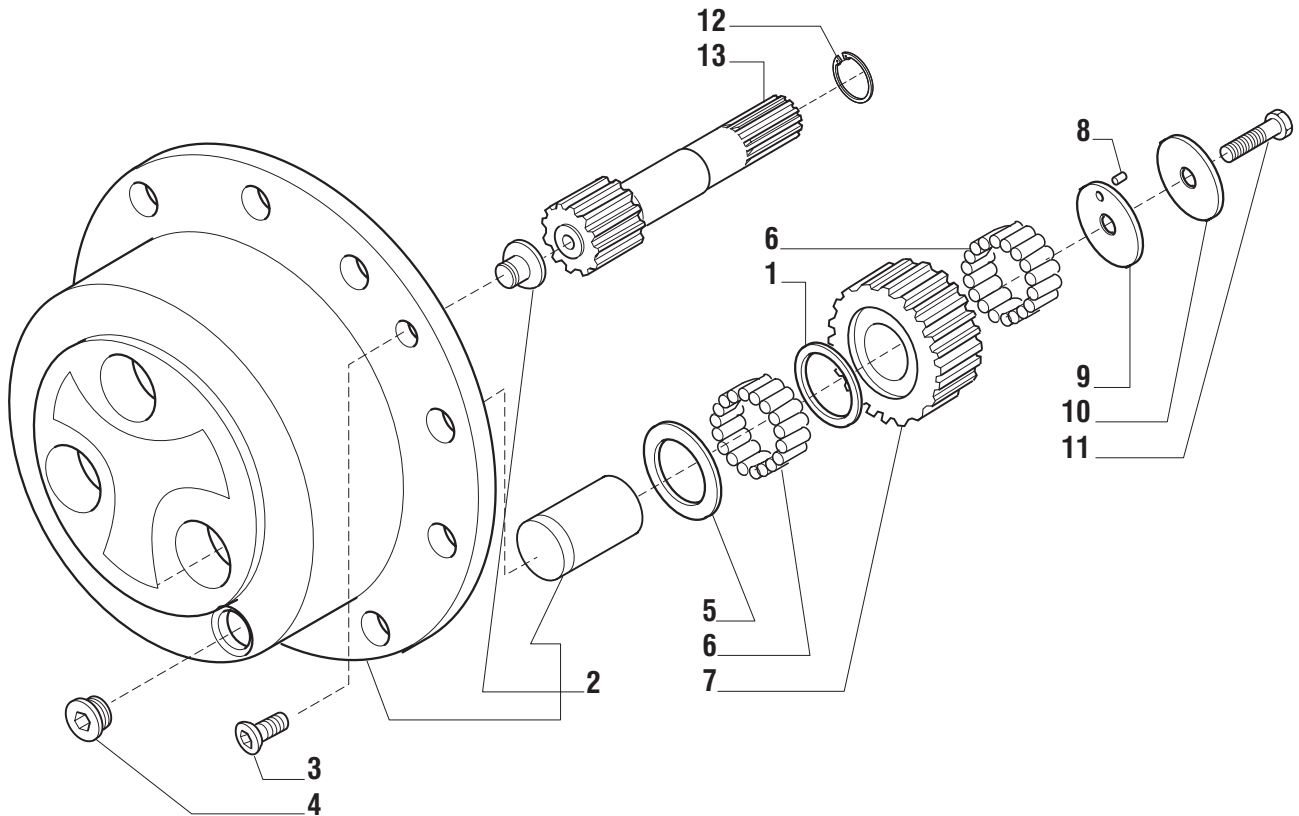


Pos.	Ref.	Q.ty	Descrizione	Description	Kit	From S/N	To S/N	Note
1	127920	6	Vite M8x20(Atbl.)	Bolt M8x20(Self lock.)				
2	132622	2	Rondella 35x9x5	Washer 35x9x5				
3	136122	2	Leva comando freni	Brakes lever				
4	133680	1	Molla torsione DX	Spring DX				
4	133681	1	Molla torsione SX	Spring SX				
5	137861	2	Bronzina 34x26.5x1	Bush 34x26.5x1				
6	137860	2	Distanziale 38x26.3x17	Spacer 38x26.3x17				
7	138815	2	Albero comando freni	Brakes shaft				
8	032990	2	Anello OR	O.ring				
9	116792	2	Sfiato M10x1	Breather M10x1				
10	137864	2	Vite M6x1x16	Bolt M6x1x16				
11	137858	2	Staffa fermo leva	Bracket				
12	028349	2	Sfera D6.5	Ball D6.5				
13	138442	2	Vite M8x1x23.5	Bolt M8x1x23.5				
14	138470	2	Kit sensore	Sensor kit				
15	132689	2	Corpo attuatore a camma	Cam				

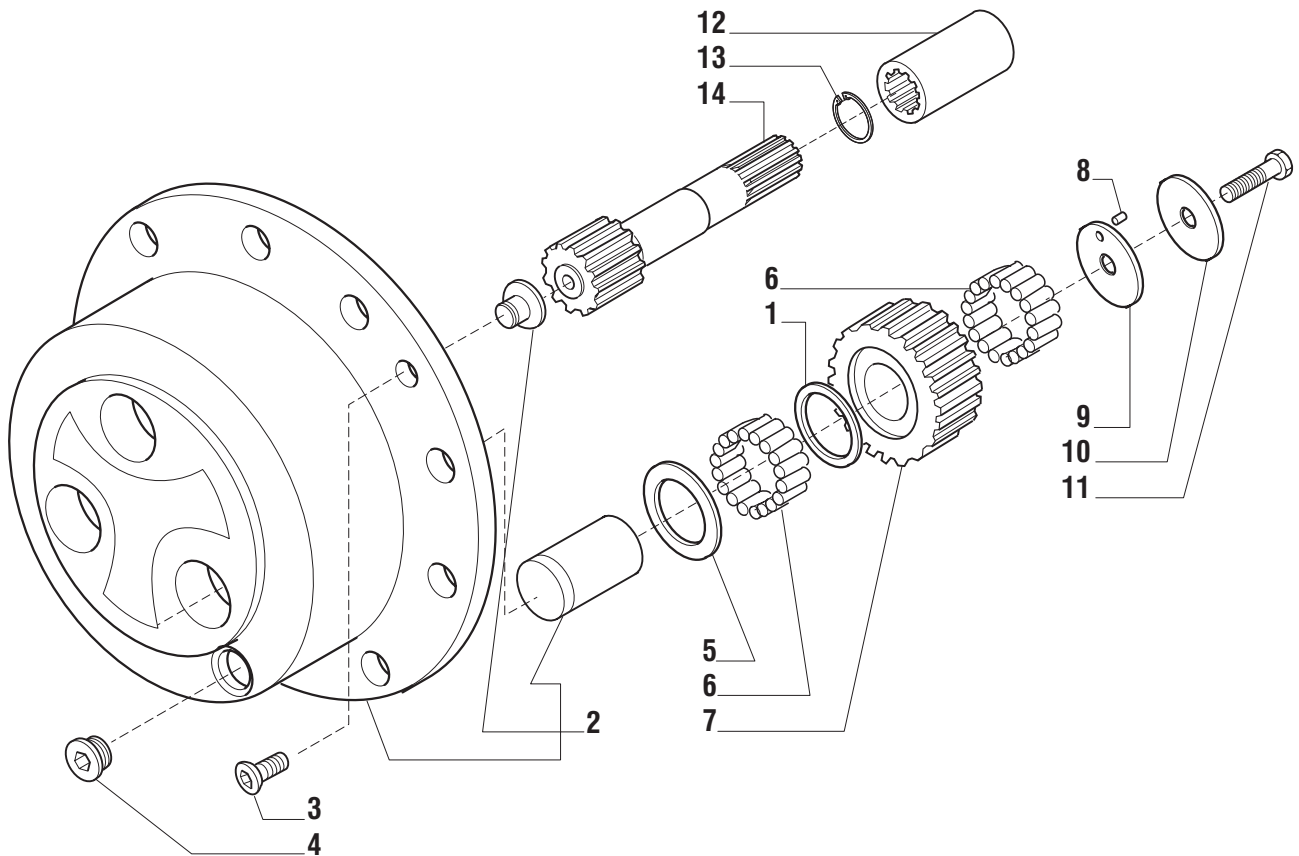


Pos.	Ref.	Q.ty	Descrizione	Description	Kit	From S/N	To S/N	Note
1	116957	10 *	Prigioniero	Stud	066261			
2	066054	2	Kit mozzo ruota	Wheel hub kit				
3	028579	2	Anello OR	O.ring				
4	118370	4	Cuscinetto	Bearing				
5	125233	2	Anello	Lock ring				
6	139633	2	Mozzo fermo corona	Wheel carrier				
7	139738	2	Corona epicicloidale	Crown gear				
8	125190	16	Bussola centraggio mozzo	Centering bush				
9	119906	16	Vite M14x1.5x65 (Atbl.)	Bolt M14x1.5x65 (Self lock)				
10	047705	2	Anello di tenuta	Seal ring				

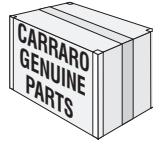
* Quantity valid only for one wheel hub kit.



Pos.	Ref.	Q.ty	Descrizione	Description	Kit	From S/N	To S/N	Note
1	138778	6	Ralla	Thrust washer				
2	066570	2	Kit treno portasatelliti	Planetary carrier kit				
3	020490	4	Vite M8x20	Bolt M8x20				
4	125280	2	Tappo M30x2	Plug M30x2				
5	138689	6	Ralla 60x40x1.5	Thrust washer 60x40x1.5				
6	028301	37,2	Rullino (a decine)	Needle bearings (by tens)				
7	138736	6	Ingranaggio Z=31	Gear Z=31				
8	028370	0,6	Rullino (a decine)	Needle bearings (by tens)				
9	138690	6	Ralla 60x11x3	Thrust washer 60x11x3				
10	138691	6	Ralla 60x11x3	Thrust washer 60x11x3				
11	125229	6	Vite M10x50 (Atbl.)	Bolt M10x50 (Self lock.)				
12	024877	2	Anello seeger 30x1.2	Snap ring 30x1.2				
13	138735	2	Semiassa Z=13	Half-shaft Z=13				



Pos.	Ref.	Q.ty	Descrizione	Description	Kit	From S/N	To S/N	Note
1	138778	6	Ralla	Thrust washer				
2	066570	2	Kit treno portasatelliti	Planetary carrier kit				
3	020490	4	Vite M8x20	Bolt M8x20				
4	125280	2	Tappo M30x2	Plug M30x2				
5	138689	6	Ralla 60x40x1.5	Thrust washer 60x40x1.5				
6	028301	37,2	Rullino (a decine)	Needle bearings (by tens)				
7	138736	6	Ingranaggio Z=31	Gear Z=31				
8	028370	0,6	Rullino (a decine)	Needle bearings (by tens)				
9	138690	6	Ralla 60x11x3	Thrust washer 60x11x3				
10	138691	6	Ralla 60x11x3	Thrust washer 60x11x3				
11	125229	6	Vite M10x50 (Atbl.)	Bolt M10x50 (Self lock.)				
12	131299	2	Bussola collegamento	Bush				
13	024877	2	Anello seeger 30x1.2	Snap ring 30x1.2				
14	138735	2	Semiassa Z=13	Half-shaft Z=13				



Kit ref.	Ref.	Descrizione	Description	Q.ty	From S/N	To S/N	Note
066689	-	Kit coppia conica	Bevel gear/Pinion set	-			
-	-	Coppia conica Z=11/32	Bevel gear/Pinion Z=11/32	1			
-	138692	Distanziale elastico	Collapsible spacer	1			
-	125829	Rondella 50x40.5x2	Washer 50x40.5x2	2			
-	113717	Rondella fermo ghiera	Lockwasher	1			
-	115054	Ghiera serraggio M40x1.5	Ring nut M44x1.5	1			
066572	-	Kit ingr. differenziale	Differential kit	-			
-	117171	Rondella spallamento	Thrust washer	4			
-	133035	Perno	Shaft	2			
-	133036	Controdisco	Drive plate	2			
-	-	Ingranaggio Z12	Gear Z12	4			
-	-	Ingranaggio Z18	Gear Z18	1			
-	-	Ingranaggio Z18	Gear Z18	1			
066678	-	Kit self-adjust	Self-adjust kit	-			
-	-	Vite M6x35	Bolt M6x35	3			
-	-	Boccola	Bush	3			
-	-	Coperchio	Cover	3			
-	-	Molla	Spring	3			
-	-	Molla	Spring	3			
066679	-	Kit self-adjust	Self-adjust kit	-			
-	-	Vite M6x35	Bolt M6x35	3			
-	-	Boccola	Bush	3			
-	-	Spina	Pin	3			
-	-	Rondella	Washer	3			
066054	-	Kit mozzo ruota	Wheel hub kit	-			
-	-	Mozzo ruota	Wheel hub	1			
-	116957	Prigioniero	Stud	10			
066570	-	Kit treno portasatelliti	Wheel carrier assy	-			
-	-	Treno portasatelliti	Wheel carrier	1			
-	-	Perno	Shaft	3			
-	-	Pattino d'arresto	Pad	1			

Manuale di riparazione / Repair manual / Manual de reparation / Ersatzlehrbuch - COD: