

FEBRUARY '96

710-19 CARRARO AXLE ref. 126139
For "J.I. CASE"
Spare Parts List

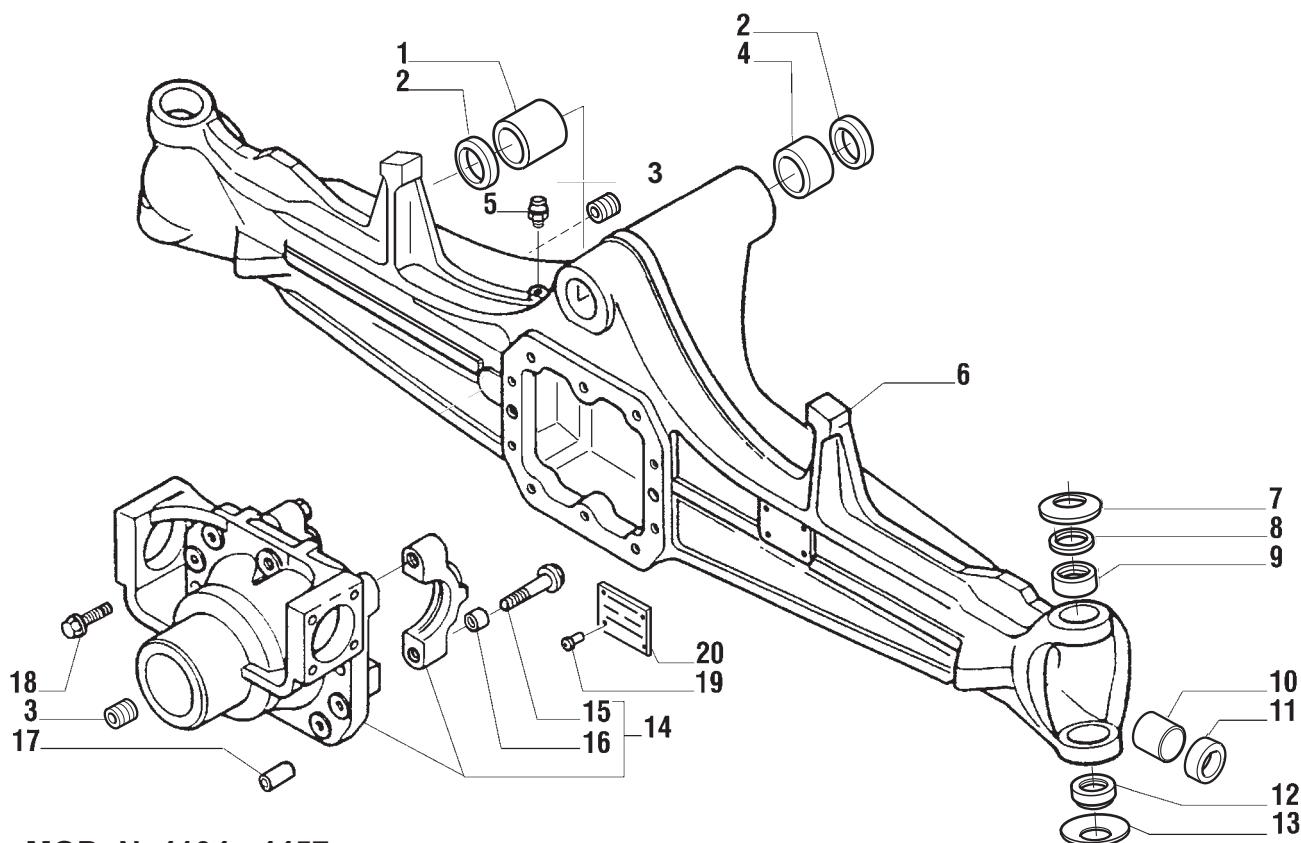
710-19 CARRARO AXLE ref. 126139

For "J.I. CASE"

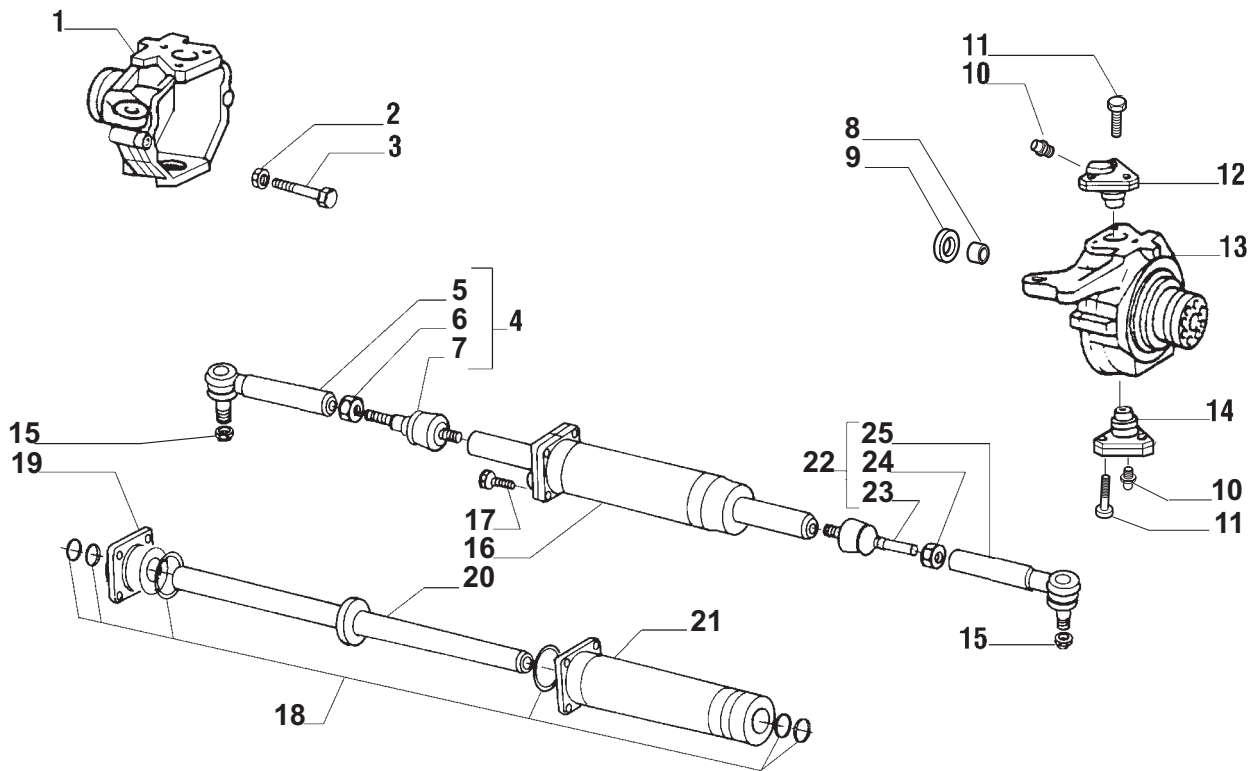
SPARE PARTS LIST

INDEX OF PAGES

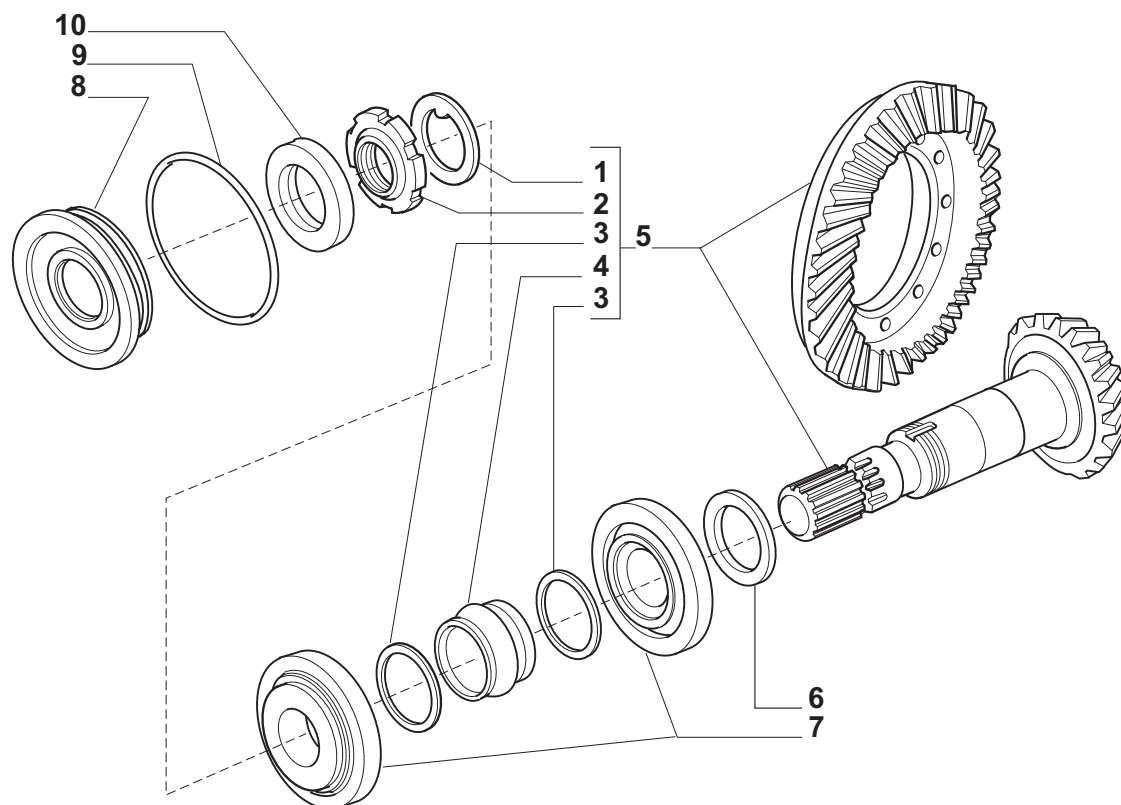
- 1.1 Axle housing
- 2.4 Swivel housing and steering cylinder
- 3.1 Bevel gear/pinion set
- 4.2 Differential
- 5.0 Drive shaft
- 6.2 Epyclic reduction

**MOD. N. 4104 - 4457**

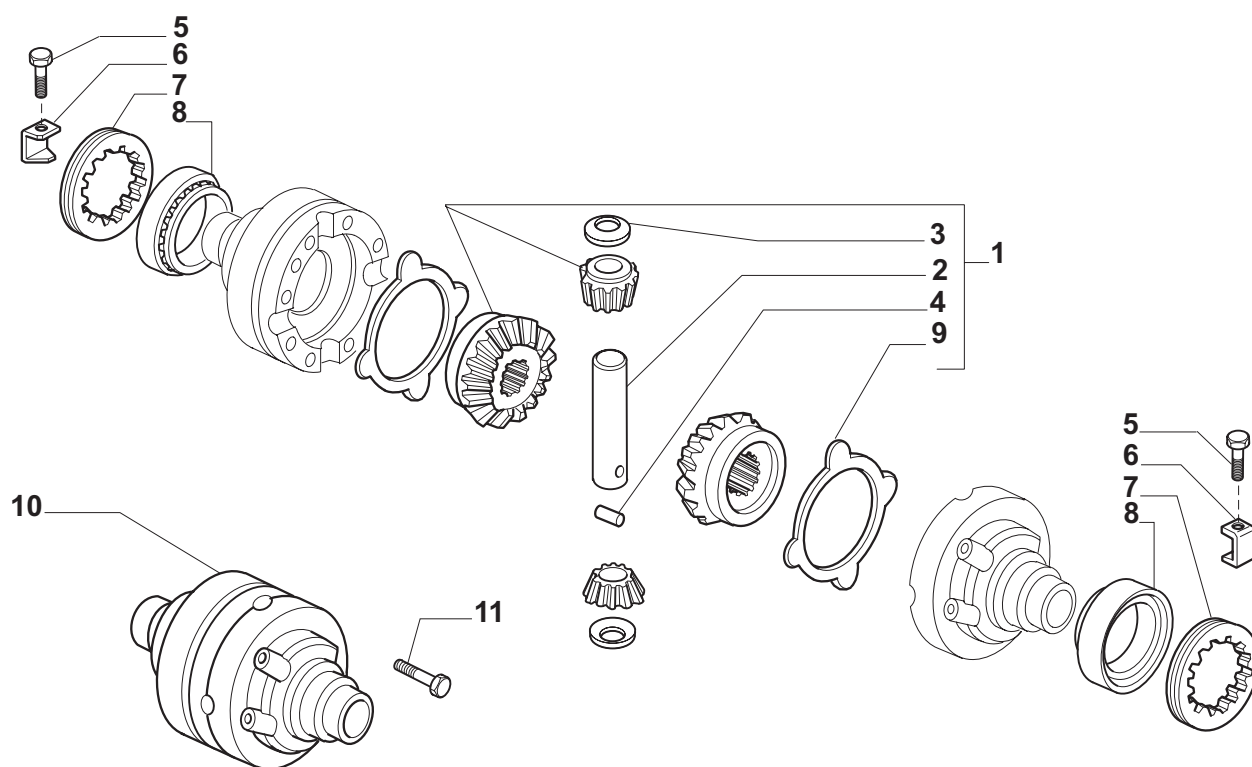
Pos.	Ref.	Q.	Description	Pos.	Ref.	Q.	Description
1	126610	1	Bushing (rear)				
2	120717	2	Bussola				
3	092270	2	Plug				
4	126611	1	Bushing (front)				
5	104988	1	Breather pipe				
6	129469	1	Axle housing				
7	128633	2	Belleville washer				
8	131265	2	Spacer washer				
9	123641	2	Bush				
10	118547	2	Inner bushing				
11	116723	2	Oil seal 42x62x14				
12	123726	2	Spherical bushing				
13	128630	2	Belleville washer				
14	126780	1	Differential support assy				
15	126022	4	Bolt				
16	072235	4	Centering bush				
17	087660	2	Centering pin				
18	125827	10	Bolt				
19	023827	4	Rivet D3.2				
20	123147	1	Identification plate				

**MOD. N. 3924 - 3985 - 4104**

Pos.	Ref.	Q.	Description	Pos.	Ref.	Q.	Description
1	127249	1	Swivel housing L.H.				
2	022131	4	Nut M12				
3	122576	4	Bolt-steering stop M14x75				
4	122600	1	Steering arm assy (L.H. threaded)				
5	048986	1	Ball joint (L.H. Thread)				
6	342619	1	Nut M24x1,5				
7	049008	1	Ball joint (L.H. Thread)				
8	109972	2	Bush				
9	116722	2	Oil seal 35x52x16				
10	024210	4	Grease nipple M6x1				
11	126922	12	Bolt M14x35				
12	128880	2	King pin				
13	127248	1	Swivel housing R.H.				
14	128881	2	King pin				
15	022431	2	Mut M20x1,5				
16	126778	1	Steering cylinder				
17	128534	4	Bolt M12x45				
18	049122	1	Seal kit				
19	049121	1	Cylinder head				
20	049120	1	Rod				
21	049119	1	Cylinder				
22	122599	1	Steering arm assy (R.H. Threaded)				
23	049013	1	Ball joint (R.H. thread)				
24	070787	1	Nut M24x1,5				
25	048987	1	Ball joint (R.H. thread)				

**MOD. N. 4345 - 5358 - 5864**

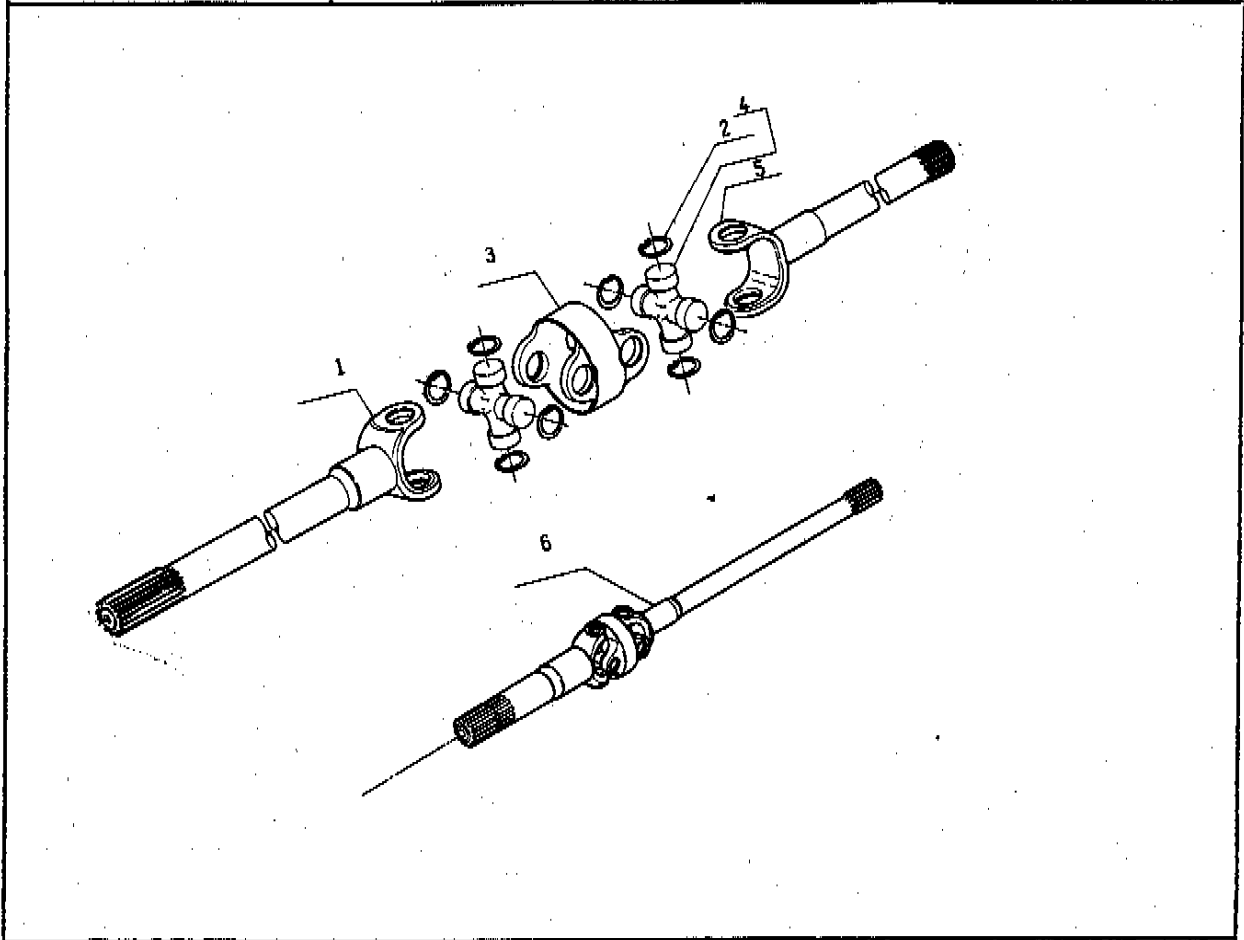
Pos.	Ref.	Q.	Description	Pos.	Ref.	Q.	Description
1	113717	1	Lock washer				
2	115054	1	Ring nut M40x1,5				
3	125829	2	Washer				
4	126369	1	Collapsible spacer				
5	065758	1	Bevel gear/Pinion set Z=9/37				
6	132265	-	Shim 2,50mm				
6	132266	-	Shim 2,60mm				
6	132267	-	Shim 2,70mm				
6	132268	-	Shim 2,80mm				
6	132269	-	Shim 2,90mm				
6	132270	-	Shim 3,00mm				
6	132271	-	Shim 3,10mm				
6	132272	-	Shim 3,20mm				
6	132273	-	Shim 3,30mm				
6	132274	-	Shim 3,40mm				
7	027326	2	Bearing				
8	129929	1	Cover				
9	028212	1	O.ring				
10	116722	1	Oil seal 35x52x16				



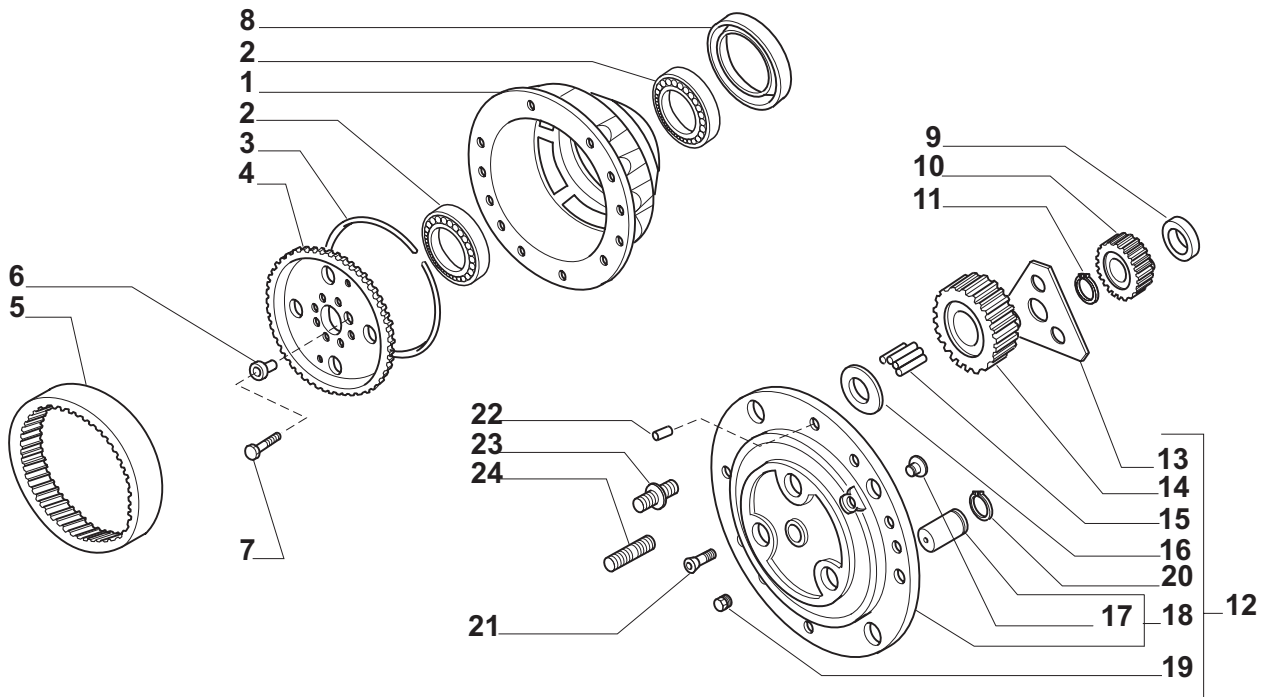
MOD. N. 3923

Pos.	Ref.	Q.	Description	Pos.	Ref.	Q.	Description
1	066161	1	Differential Kit				
2	115731	1	Shaft				
3	115730	2	Thrust washer				
4	116451	1	Pin D.7x40				
5	128440	2	Bolt M6x10 (self lock.)				
6	107778	2	Lock plate				
7	107400	2	Ring nut				
8	027309	2	Bearing				
9	120361	2	Thrust washer				
10	127711	1	Differential housing				
11	125552	12	Screw M10x1,5x75 (self lock..)				

	DRIVE SHAFT AXLE REF. 126139	FROM SERIAL N. 101	5.0
--	---------------------------------	-----------------------	-----



Pos.	Ref.	Q.	Description				
1	Q40821	2	Half shaft				
2	Q40822	16	Lock ring				
3	Q40824	2	Central body				
4	Q40825	4	Spider				
5	Q40864	2	Half shaft				
6	126124	2	Drive shaft				



MOD. N. 4375

Pos.	Ref.	Q.	Description	Pos.	Ref.	Q.	Description
1	118376	2	Wheel hub				
2	118370	4	Bearing				
3	125555	2	Lockring				
4	125550	2	Wheel carrier				
5	125549	2	Crown gear				
6	125189	2	Centering bush D.24				
6	125190	6	Centering bush D.20				
7	119906	8	Bolt				
8	047705	2	Cassette seal				
9	127592	2	Spacer				
10	115643	2	Sun gear				
11	065640	2	Planetary assy				
13	116458	2	Thrust washer				
14	115644	6	Planetary gear				
15	028284	18	Needle bearing (by tens)				
16	115634	6	Thrust washer				
17	115682	2	Thrust pin				
18	065417	2	Planetary carrier				
19	092270	2	Drain plug				
20	024789	6	Snap ring				
21	020510	4	Screw M12x30				
22	115640	4	Pin				
23	120853	4	Stud				
24	106199	12	Stud				