



**SPICER<sup>®</sup>**

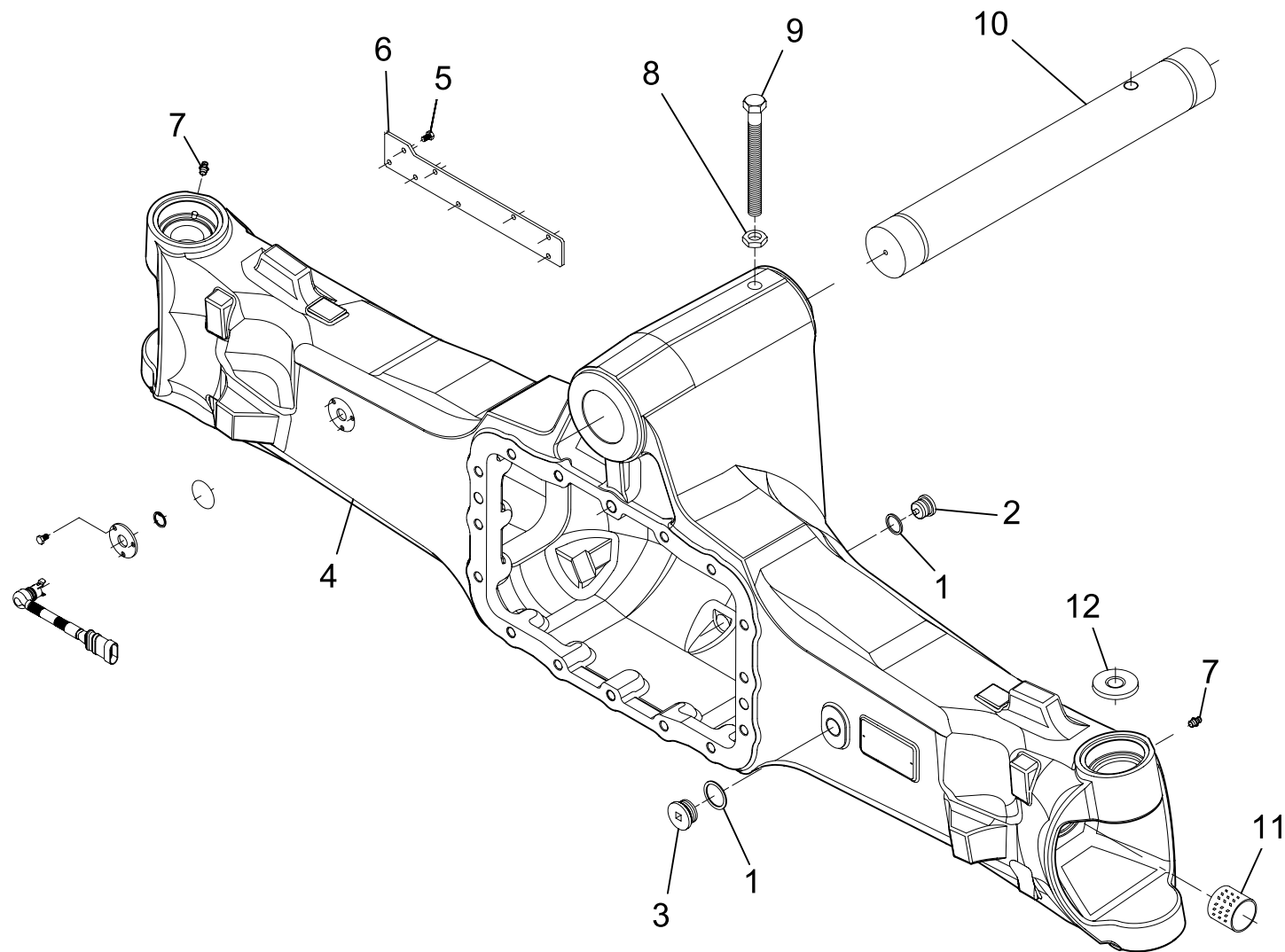
*Off-Highway Products*

## Service Parts List

---

Axle 770/512

APL-3223  
October 2011



**DANA ITALIA S.P.A. CENTRAL HOUSING**

TECHNICAL DOCUMENTATION Type **770** Tav. **770-01-0004**



Mod. 770/512

Technical documentation

DISTINTA PEZZI DI RICAMBIO  
ERSATZTEILLISTE  
LISTE DES PIECES DE RECHANGE  
LIST OF SPARE PARTS

Descr. CENTRAL HOUSING

Drawing  
770-01-0004

Page N. 1

Date 3/10/11

Pos.	NUMERO DISEGNO BESTELLNUMMER REFERENCE NUMERO PART NUMBER	Q.ty	DENOMINAZIONE BEZEICHNUNG DESCRIPTION DENOMINATION	Type 770	Subassembly 770-01/503
1	011.07.3352	2	ROSETTA DI TENUTA BAGUE D'ETANCHEITE SEAL WASHER DICHTRING		
2	000.065050	1	TAPPO BOUCHON PLUG STOPFEN		
3	000.065060	1	TAPPO BOUCHON PLUG STOPFEN		
4	770.01.710.02	1	CORPO PONTE STERZANTE ESSIEU DIRECTEUR STEERING AXLE HOUSING ACHSGEHAEUSE		
5					
6					
7					
8	006.03.3208	1	DADO ECROU NUT MUTTER		
9	016.03.3621	1	VITE VIS BOLT SCHRAUBE		
10	760.01.021.01	1	PERNO AXE PIN BOLZEN		



Mod. 770/512

Technical documentation

DISTINTA PEZZI DI RICAMBIO  
ERSATZTEILLISTE  
LISTE DES PIÈCES DE RECHANGE  
LIST OF SPARE PARTS

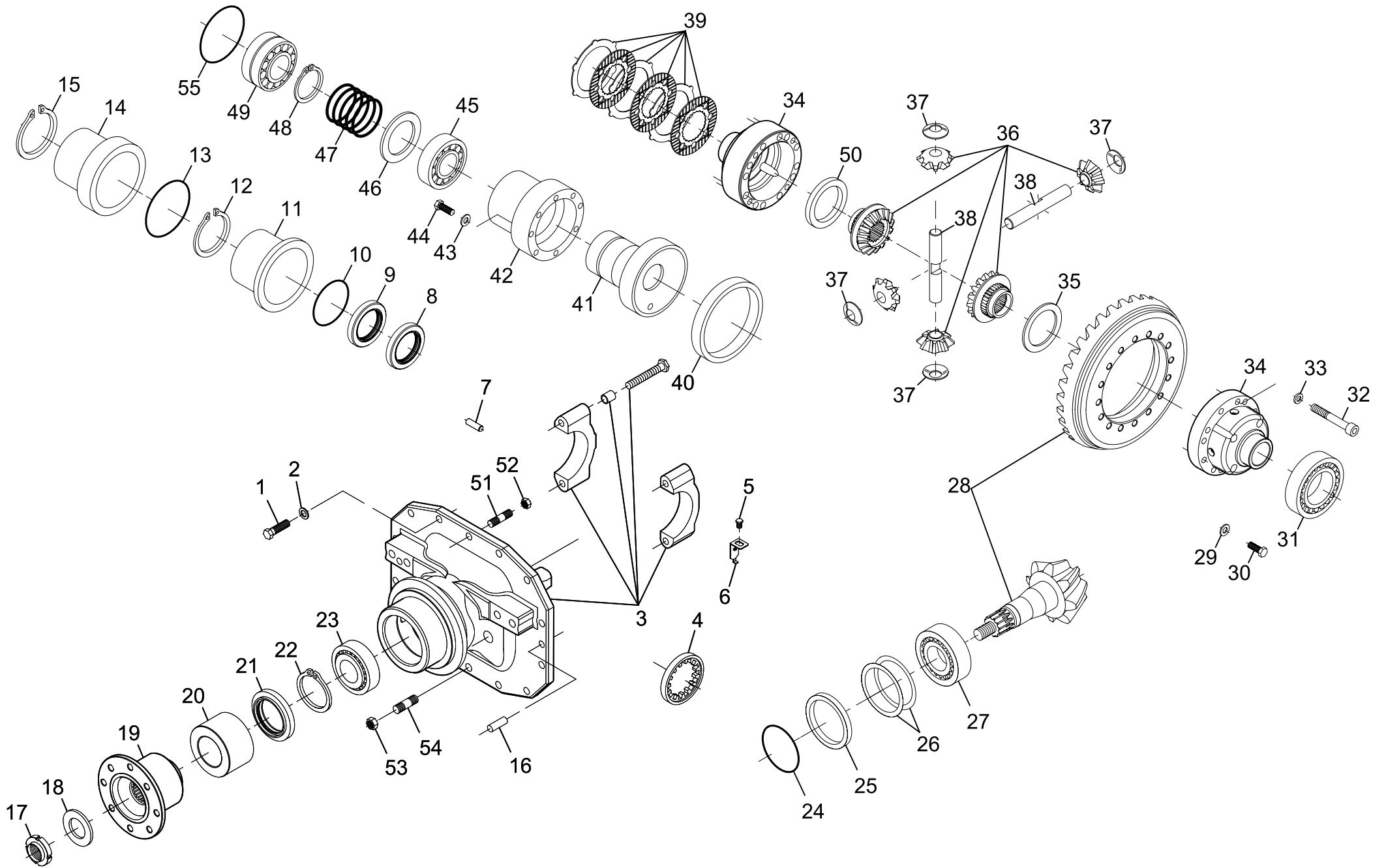
Descr. CENTRAL HOUSING

Drawing  
770-01-0004

Page N. 2

Date 3/10/11

Pos.	NUMERO DISEGNO BESTELLNUMMER REFERENCE NUMERO PART NUMBER	Q.ty	DENOMINAZIONE BEZEICHNUNG DESCRIPTION DENOMINATION	Type 770	Subassembly 770-01/503
11	000.339040	2	BRONZINA DOUILLE THRUST BUSHING ANLAUFBUCHSE		
12	755.06.053.01	1	COPERCHIO COUVERCLE COVER DECKEL		



<b>DANA ITALIA S.P.A.</b>	<b>DIFFERENTIAL</b>
TECHNICAL DOCUMENTATION	Type <b>770</b> Tav. <b>770-04-0003</b>



Mod. 770/512

Technical documentation

DISTINTA PEZZI DI RICAMBIO  
ERSATZTEILLISTE  
LISTE DES PIECES DE RECHANGE  
LIST OF SPARE PARTS

Descr. DIFFERENTIAL

Drawing  
770-04-0003

Page N. 1

Date 3/10/11

Pos.	NUMERO DISEGNO BESTELLNUMMER REFERENCE NUMERO PART NUMBER	Q.ty	DENOMINAZIONE BEZEICHNUNG DESCRIPTION DENOMINATION	Type 770	Subassembly 770-04/609
1	016.36.4347	16	VITE VIS BOLT SCHRAUBE		
2	011.05.3790	16	ROSETTA RONDELLE LOCK WASHER SCHEIBE		
3	770.04.759.01	1	SUPPORTO SUPPORT SUPPORT HALTERUNG		
4	000.3765787 M1	1	GHIERA ECROU RING NUT WELLENMUTTER		
5	000.1444071 X1	1	VITE VIS BOLT SCHRAUBE		
6	000.3765786 M1	1	PIASTRINA PLAQUETTE SHEET SCHEIBE		
7	014.01.0327	1	SPINA BROCHE DOWEL STIFT		
8	001.42.3359	1	ANELLO DI TENUTA JOINT D'ETANCHEITE SEAL DICHRING		
9	001.42.3360	1	ANELLO DI TENUTA JOINT D'ETANCHEITE SEAL DICHRING		
10	000.3766055 M1	1	ANELLO OR JOINT OR O - RING O - RING		



Mod. 770/512

Technical documentation

DISTINTA PEZZI DI RICAMBIO  
ERSATZTEILLISTE  
LISTE DES PIECES DE RECHANGE  
LIST OF SPARE PARTS

Descr. DIFFERENTIAL

Drawing  
770-04-0003

Page N. 2

Date 3/10/11

Pos.	NUMERO DISEGNO BESTELLNUMMER REFERENCE NUMERO PART NUMBER	Q.ty	DENOMINAZIONE BEZEICHNUNG DESCRIPTION DENOMINATION	Type 770	Subassembly 770-04/609
11	000.3766054 M1	1	BOCCOLA DOUILLE BUSHING BUCHSE		
12	000.3766056 M1	1	ANELLO DI SICUREZZA ARRETOIR CIRCLIP SICHERUNGSRING		
13	001.05.1564	1	ANELLO BAGUE RING RING		
14	000.3765836 M1	1	PISTONE PISTON PISTON KOLBEN		
15	000.3765837 M1	1	ANELLO DI SICUREZZA ARRETOIR CIRCLIP SICHERUNGSRING		
16	014.01.3773	2	SPINA BROCHE DOWEL STIFT		
17	000.3765039 M1	1	GHIERA ECROU RING NUT WELLENMUTTER		
18	760.04.017.01	1	ANELLO BAGUE RING RING		
19	770.04.711.01	1	FLANGIA BRIDE FLANGE FLANSCH		
20					
21	760.04.012.01	1	ANELLO DI TENUTA		



Mod. 770/512

Technical documentation

DISTINTA PEZZI DI RICAMBIO  
ERSATZTEILLISTE  
LISTE DES PIECES DE RECHANGE  
LIST OF SPARE PARTS

Descr. DIFFERENTIAL

Drawing  
770-04-0003

Page N. 3

Date 3/10/11

Pos.	NUMERO DISEGNO BESTELLNUMMER REFERENCE NUMERO PART NUMBER	Q.ty	DENOMINAZIONE BEZEICHNUNG DESCRIPTION DENOMINATION	Type 770	Subassembly 770-04/609
22	002.02.1812	1	JOINT D'ETANCHEITE SEAL DICHTRING  ANELLO DI SICUREZZA ARRETOIR CIRCLIP SICHERUNGSRING		
23	000.137100	1	CUSCINETTO ROULEMENT BEARING LAGER		
24	000.3765901 M1	1	ANELLO OR JOINT OR O - RING O - RING		
25	138.04.400.01	1	KIT SPESSORI KIT CALES SHIMS KIT PASS-SCHEIBEN KIT		
26	000.245025 000.245027 000.245028	4 4 2	SPESSORE CALE SHIM PASS - SCHEIBE		
27	005.09.3366	1	CUSCINETTO A RULLI CONICI ROULEMENT A R. CONIQUES TAPER ROLLER BEARING KEGELROLLENLAGER		
28	770.04.509.01	1	COPPIA CONICA COUPLE CONIQUE BEVEL GEAR SET KEGEL- UND TELLERRADPAAR		
29	011.14.1455	18	ROSETTA ELASTICA RONDELLE ELASTIQUE SPRING WASHER FEDERRING		
30	016.01.0786	18	VITE A TESTA ESAGONALE VIS A TETE EXAGONALE HEXAGON BOLT SECHSKANTSCHRAUBE		





Mod. 770/512

Technical documentation

DISTINTA PEZZI DI RICAMBIO  
ERSATZTEILLISTE  
LISTE DES PIECES DE RECHANGE  
LIST OF SPARE PARTS

Descr. DIFFERENTIAL

Drawing  
770-04-0003

Page N. 4

Date 3/10/11

Pos.	NUMERO DISEGNO BESTELLNUMMER REFERENCE NUMERO PART NUMBER	Q.ty	DENOMINAZIONE BEZEICHNUNG DESCRIPTION DENOMINATION	Type 770	Subassembly 770-04/609
31	005.10.3365	1	CUSCINETTO A RULLI CONICI ROULEMENT A R. CONIQUES TAPER ROLLER BEARING KEGELROLLENLAGER		
32	000.057970	12	VITE VIS BOLT SCHRAUBE		
33	011.04.1318	12	RONDELLA ELASTICA RONDELLE ELASTIQUE SPRING WASHER FEDERSCHEIBE		
34	770.04.701.01	1	SCATOLA DIFFERENZIALE CARTER DIFFERENTIEL DIFFERENTIAL CARRIER DIFFERENTIALGEHAEUSE		
35	000.245680	1	RONDELLA RONDELLE WASHER SCHEIBE		
36	760.04.702.01	1	INGRANAGGIO ENGRENAGE GEAR ZAHNRAD		
37	760.04.014.01	4	RONDELLA DI RASAMENTO RONDELLE FRICTION WASHER ANLAUFSCHLEIFE		
38	000.215040	2	PERNO AXE PIN BOLZEN		
39	000.727512	1	DISCO FRIZIONE DISQUE D'EMBRAJAGE CLUTCH DISC KUPPLUNGSSCHLEIFE		
40	000.139339	1	ANELLO BAGUE RING RING		



Mod. 770/512

Technical documentation

DISTINTA PEZZI DI RICAMBIO  
ERSATZTEILLISTE  
LISTE DES PIECES DE RECHANGE  
LIST OF SPARE PARTS

Descr. DIFFERENTIAL

Drawing  
770-04-0003

Page N. 5

Date 3/10/11

Pos.	NUMERO DISEGNO BESTELLNUMMER REFERENCE NUMERO PART NUMBER	Q.ty	DENOMINAZIONE BEZEICHNUNG DESCRIPTION DENOMINATION	Type 770	Subassembly 770-04/609
41	760.04.004.01	1	FLANGIA BRIDE FLANGE FLANSCH		
42	000.3766063 M1	1	COPERCHIO COUVERCLE COVER DECKEL		
43	011.04.3431	18	RONDELLA RONDELLE WASHER SCHEIBE		
44	000.3766065 M1	18	VITE VIS BOLT SCHRAUBE		
45	005.10.3166	1	CUSCINETTO ROULEMENT BEARING LAGER		
46	000.345621 000.345622 000.345623	3 1 1	SPESSORE CALE SHIM PASS - SCHEIBE		
47	760.04.005.01	1	MOLLA RESSORT SPRING FEDER		
48	002.01.1794	1	ANELLO DI SICUREZZA ARRETOIR CIRCLIP SICHERUNGSRING		
49	005.73.3367	1	CUSCINETTO REGGISPINTA BUTEE D'EMBRAYAGE RELEASE BEARING AUSRUECKLAGER		
50	000.245837	1	RONDELLA RONDELLE WASHER SCHEIBE		



Mod. 770/512

Technical documentation

DISTINTA PEZZI DI RICAMBIO  
ERSATZTEILLISTE  
LISTE DES PIÈCES DE RECHANGE  
LIST OF SPARE PARTS

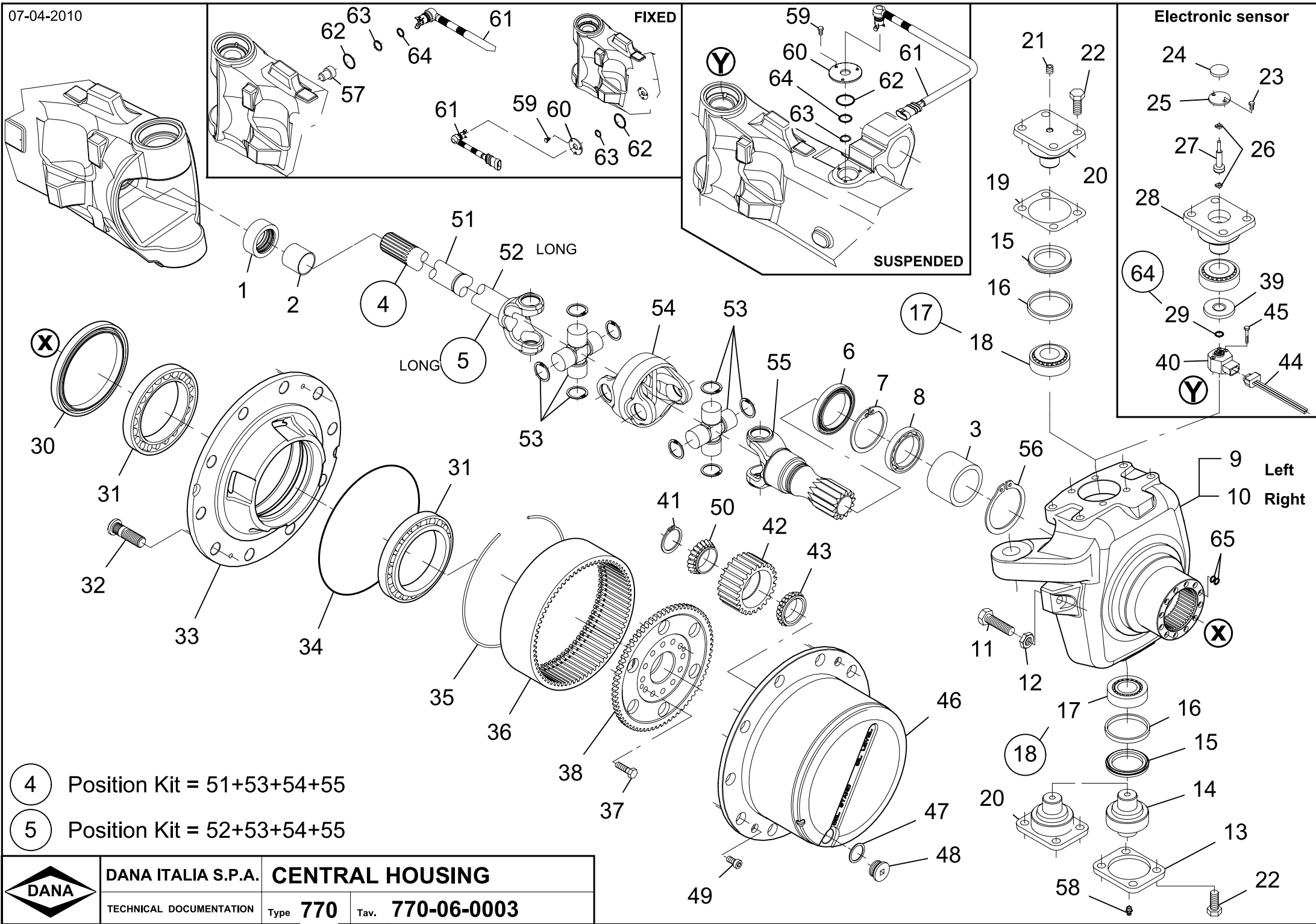
Descr. DIFFERENTIAL

Drawing  
770-04-0003

Page N. 6

Date 3/10/11

Pos.	NUMERO DISEGNO BESTELLNUMMER REFERENCE NUMERO PART NUMBER	Q.ty	DENOMINAZIONE BEZEICHNUNG DESCRIPTION DENOMINATION	Type 770	Subassembly 770-04/609
51					
52					
53					
54					
55	001.05.1421	1	ANELLO OR JOINT OR O - RING O - RING		



4 Position Kit = 51+53+54+55

5 Position Kit = 52+53+54+55

	<b>DANA ITALIA S.P.A. CENTRAL HOUSING</b>	
	TECHNICAL DOCUMENTATION	Type <b>770</b> Tav. <b>770-06-0003</b>



Mod. 770/512

Technical documentation

DISTINTA PEZZI DI RICAMBIO  
ERSATZTEILLISTE  
LISTE DES PIECES DE RECHANGE  
LIST OF SPARE PARTS

Descr. HUB REDUCTION

Drawing  
770-06-0003

Page N. 1

Date 3/10/11

Pos.	NUMERO DISEGNO BESTELLNUMMER REFERENCE NUMERO PART NUMBER	Q.ty	DENOMINAZIONE BEZEICHNUNG DESCRIPTION DENOMINATION	Type 770	Subassembly 770-06/619
1	760.01.005.01	2	ANELLO DI TENUTA JOINT D'ETANCHEITE SEAL DICHRING		
2	000.139355	2	BUSSOLA MANCHON DE REDUCTION REDUCTION BUSHING ZWISCHENBUCHSE		
3	770.06.033.02	2	DISTANZIALE ENTRETOISE SPACER DISTANZRING		
4	770.06.615.02	1	DOPPIO GIUNTO CARDANICO DOUBLE JOINT CARDAN DOUBLE UNIVERSAL JOINT KARDAN-DOPPELGELENKWELLE		
5	770.06.614.02	1	DOPPIO GIUNTO CARDANICO DOUBLE JOINT CARDAN DOUBLE UNIVERSAL JOINT KARDAN-DOPPELGELENKWELLE		
6	770.06.010.01	2	ANELLO DI TENUTA JOINT D'ETANCHEITE SEAL DICHRING		
7	002.02.0089	2	ANELLO DI SICUREZZA ARRETOIR CIRCLIP SICHERUNGSRING		
8	005.01.0126	2	CUSCINETTO A SFERE ROULEMENT A BILLES BALL BEARING RILLENKUGELLAGER		
9	770.06.085.03	1	SCATOLA SNODO BOITIER DE DIRECTION STEERING CASE GELENKGEHAEUSE		
10	770.06.084.03	1	SCATOLA SNODO BOITIER DE DIRECTION STEERING CASE GELENKGEHAEUSE		



Mod. 770/512

Technical documentation

DISTINTA PEZZI DI RICAMBIO  
ERSATZTEILLISTE  
LISTE DES PIECES DE RECHANGE  
LIST OF SPARE PARTS

Descr. HUB REDUCTION

Drawing  
770-06-0003

Page N. 2

Date 3/10/11

Pos.	NUMERO DISEGNO BESTELLNUMMER REFERENCE NUMERO PART NUMBER	Q.ty	DENOMINAZIONE BEZEICHNUNG DESCRIPTION DENOMINATION	Type 770	Subassembly 770-06/619
11	000.057721	2	VITE VIS BOLT SCHRAUBE		
12	000.058321	2	DADO ECROU NUT MUTTER		
13					
14					
15	770.06.039.01	4	ANELLO DI TENUTA JOINT D'ETANCHEITE SEAL DICHRING		
16					
17	005.10.3812	4	CUSCINETTO A RULLI CONICI ROULEMENT A R. CONIQUES TAPER ROLLER BEARING KEGELROLLENLAGER		
18					
19	770.06.080.01 770.06.081.01	2 4	SPESSORE CALE SHIM PASS - SCHEIBE		
20	770.06.077.01	3	PERNO SNODO PIVOT DE DIRECTION PIVOT PIN ACHSSCHENKELBOLZEN		



Mod. 770/512

Technical documentation

DISTINTA PEZZI DI RICAMBIO  
ERSATZTEILLISTE  
LISTE DES PIECES DE RECHANGE  
LIST OF SPARE PARTS

Descr. HUB REDUCTION

Drawing  
770-06-0003

Page N. 3

Date 3/10/11

Pos.	NUMERO DISEGNO BESTELLNUMMER REFERENCE NUMERO PART NUMBER	Q.ty	DENOMINAZIONE BEZEICHNUNG DESCRIPTION DENOMINATION	Type 770	Subassembly 770-06/619
21	016.08.3444	2	VITE VIS BOLT SCHRAUBE		
22	016.01.0786	16	VITE A TESTA ESAGONALE VIS A TETE EXAGONALE HEXAGON BOLT SECHSKANTSCHRAUBE		
23	016.04.1981	2	VITE VIS BOLT SCHRAUBE		
24	015.03.2885	1	TAPPO BOUCHON PLUG STOPFEN		
25	760.06.021.01	1	RALLA FLASQUE DE ROULEMENT RACEWAY WASHER ACHSIALLAGERSCHEIBE		
26	730.01.051.02	2	GIUNTO JOINT JOINT GELENK		
27	770.06.082.01	1	PERNO AXE PIN BOLZEN		
28	770.06.078.01	1	PERNO SNODO PIVOT DE DIRECTION PIVOT PIN ACHSSCHENKELBOLZEN		
29					
30	163.07.009.01	2	ANELLO DI TENUTA JOINT D'ETANCHEITE SEAL DICHRING		



Mod. 770/512

Technical documentation

DISTINTA PEZZI DI RICAMBIO  
ERSATZTEILLISTE  
LISTE DES PIECES DE RECHANGE  
LIST OF SPARE PARTS

Descr. HUB REDUCTION

Drawing  
770-06-0003

Page N. 4

Date 3/10/11

Pos.	NUMERO DISEGNO BESTELLNUMMER REFERENCE NUMERO PART NUMBER	Q.ty	DENOMINAZIONE BEZEICHNUNG DESCRIPTION DENOMINATION	Type 770	Subassembly 770-06/619
31	005.10.4063	4	CUSCINETTO A RULLI CONICI ROULEMENT A R. CONIQUES TAPER ROLLER BEARING KEGELROLLENLAGER		
32	000.057061	24	COLONNETTA GOUJON DE ROUE WHEEL STUD RADBOLZEN		
33	770.06.086.01	2	MOZZO RUOTA MOYEU DE ROUE WHEEL HUB RADNABE		
34	001.05.3338	2	ANELLO OR JOINT OR O - RING O - RING		
35	770.06.011.01	2	ANELLO D'ARRESTO BAGUE D'ARRET SNAP RING SPRENGRING		
36	970.06.055.01	2	CORONA DENTATA COURONNE DENTEE RING GEAR ZAHNKRANZ		
37	016.36.4351	24	VITE VIS BOLT SCHRAUBE		
38	770.06.050.01	2	SUPPORTO PORTACORONA SUPPORT PORTE COURONNE RING GEAR SUPPORT HOHLRADTRAEGER		
39					
40	750.24.628.01	1	SENSORE CAPTEUR SENSOR SENSOR		





Mod. 770/512

Technical documentation

DISTINTA PEZZI DI RICAMBIO  
ERSATZTEILLISTE  
LISTE DES PIECES DE RECHANGE  
LIST OF SPARE PARTS

Descr. HUB REDUCTION

Drawing  
770-06-0003

Page N. 5

Date 3/10/11

Pos.	NUMERO DISEGNO BESTELLNUMMER REFERENCE NUMERO PART NUMBER	Q.ty	DENOMINAZIONE BEZEICHNUNG DESCRIPTION DENOMINATION	Type 770	Subassembly 770-06/619
41	970.06.020.01	3	ANELLO BAGUE RING RING		
42	970.06.021.01	6	SATELLITE SATELLITE DIFFERENTIAL PINION AUSGLEICHSKEGELRAD		
43	970.06.025.01	6	CUSCINETTO ROULEMENT BEARING LAGER		
44	770.01.051.01	1	CONNETTORE CONNECTEUR CONNECTOR VERBINDER		
45	016.04.3614	2	VITE A TESTA CILINDRICA VIS A TETE CYLINDRIQUE CYLINDER BOLT ZYLINDERSCHRAUBE		
46	770.06.079.02	1	SUPPORTO SATELLITI SUPPORT SATELLITES PLANET GEAR CARRIER PLANETENGEHAEUSE		
47	011.07.3352	2	ROSETTA DI TENUTA BAGUE D'ETANCHEITE SEAL WASHER DICHRING		
48	000.065050	2	TAPPO BOUCHON PLUG STOPFEN		
49	000.057073	4	VITE VIS BOLT SCHRAUBE		
50	970.06.024.01	6	CUSCINETTO ROULEMENT BEARING LAGER		



Mod. 770/512

Technical documentation

DISTINTA PEZZI DI RICAMBIO  
ERSATZTEILLISTE  
LISTE DES PIECES DE RECHANGE  
LIST OF SPARE PARTS

Descr. HUB REDUCTION

Drawing  
770-06-0003

Page N. 6

Date 3/10/11

Pos.	NUMERO DISEGNO BESTELLNUMMER REFERENCE NUMERO PART NUMBER	Q.ty	DENOMINAZIONE BEZEICHNUNG DESCRIPTION DENOMINATION	Type 770	Subassembly 770-06/619
51	770.06.450.08	1	SEMIASSE LATO DIFFERENZIALE DEMI-ARBRE COTE DIFFERENTIEL HALF SHAFT DIFFERENTIAL SIDE ACHSWELLE DIFFERENTIAL SEITE		
52	770.06.450.07	1	SEMIASSE LATO DIFFERENZIALE DEMI-ARBRE COTE DIFFERENTIEL HALF SHAFT DIFFERENTIAL SIDE ACHSWELLE DIFFERENTIAL SEITE		
53	750.06.450.01	2	CROCERA GIUNTO CROISILLON JOINT CROSS GELENKKREUZ		
54	750.06.450.02	1	CORPO CENTRALE CORPS CENTRAL DU JOINT JOINT CENTRE SECTION ZENTRAL GEHAEUSE		
55	770.06.450.02	1	SEMIASSE LATO DIFFERENZIALE DEMI-ARBRE COTE DIFFERENTIEL HALF SHAFT DIFFERENTIAL SIDE ACHSWELLE DIFFERENTIAL SEITE		
56	002.01.1146	2	ANELLO DI SICUREZZA ARRETOIR CIRCLIP SICHERUNGSRING		
57					
58					
59	016.01.1180	3	VITE A TESTA ESAGONALE VIS A TETE EXAGONALE HEXAGON BOLT SECHSKANTSCHRAUBE		
60	730.01.017.02	2	COPERCHIO COUVERCLE COVER DECKEL		



Mod. 770/512

Technical documentation

DISTINTA PEZZI DI RICAMBIO  
ERSATZTEILLISTE  
LISTE DES PIECES DE RECHANGE  
LIST OF SPARE PARTS

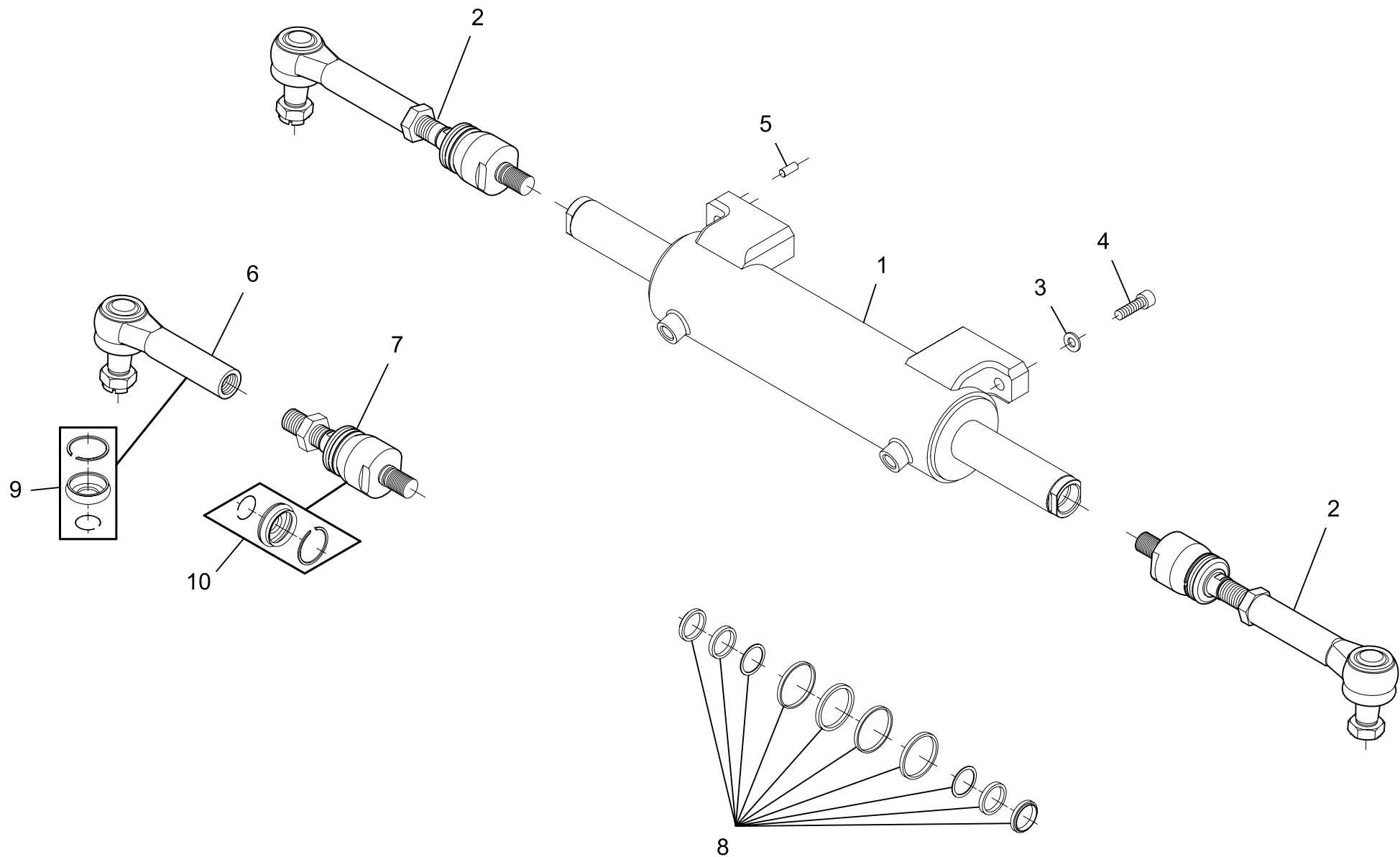
Descr. HUB REDUCTION

Drawing  
770-06-0003

Page N. 7

Date 3/10/11

Pos.	NUMERO DISEGNO BESTELLNUMMER REFERENCE NUMERO PART NUMBER	Q.ty	DENOMINAZIONE BEZEICHNUNG DESCRIPTION DENOMINATION	Type 770	Subassembly 770-06/619
61					
62	001.05.1423	1	ANELLO OR JOINT OR O - RING O - RING		
63	002.01.0061	1	ANELLO DI SICUREZZA ARRETOIR CIRCLIP SICHERUNGSRING		
64	001.05.3931	2	ANELLO OR JOINT OR O - RING O - RING		
65	001.05.3659	4	ANELLO DI TENUTA JOINT D'ETANCHEITE SEAL DICHRING		



DANA ITALIA S.P.A. **STEERING**

TECHNICAL DOCUMENTATION Type **770** Tav. **770-24-0003**



Mod. 770/512

Technical documentation

DISTINTA PEZZI DI RICAMBIO  
ERSATZTEILLISTE  
LISTE DES PIECES DE RECHANGE  
LIST OF SPARE PARTS

Descr. STEERING

Drawing  
770-24-0003

Page N. 1

Date 3/10/11

Pos.	NUMERO DISEGNO BESTELLNUMMER REFERENCE NUMERO PART NUMBER	Q.ty	DENOMINAZIONE BEZEICHNUNG DESCRIPTION DENOMINATION	Type 770	Subassembly 770-24/602
1	770.24.601.01	1	CILINDRO CILINDRE CYLINDER ZYLINDER		
2	770.24.617.01	2	ASTA TIGE BAR STANGE		
3	011.04.1158	6	RONDELLA ELASTICA RONDELLE ELASTIQUE SPRING WASHER FEDERSCHEIBE		
4	016.30.4423	6	VITE VIS BOLT SCHRAUBE		
5	000.3764700 M1	1	SPINA BROCHE DOWEL STIFT		
6	770.24.450.15	1	SNODO 90 ARTICULATION 90 JOINT 90 GELENK 90		
7	770.24.450.16	1	SNODO ASSIALE ARTICULATION AXIALE AXIAL JOINT AXIAL GELENK		
8	770.24.450.14	1	KIT GUARNIZIONI KIT GARNITURES SEALS KIT DICHTUNGEN KIT		
9	770.24.450.17	1	KIT CUFFIA E ANELLI FERMO KIT PROTECTION ET BAGUES SERR. RUBBER BOOT AND LOCK RINGS KIT KASTEN UND HALTERUNGSRINGE KIT		
10	770.24.450.18	1	KIT CUFFIA E ANELLI FERMO KIT PROTECTION ET BAGUES SERR. RUBBER BOOT AND LOCK RINGS KIT KASTEN UND HALTERUNGSRINGE KIT		

© Copyright 2011 Dana Holding Corporation

All content is subject to copyright by Dana and may not be reproduced in whole or in part by any means, electronic or otherwise, without prior written approval.

THIS INFORMATION IS NOT INTENDED FOR SALE OR RESALE, AND THIS NOTICE MUST REMAIN ON ALL COPIES.

For product inquiries or support,  
visit [www.dana.com](http://www.dana.com) or call 419-887-6445

For other service publications,  
visit [www.SpicerParts.com/literature.asp](http://www.SpicerParts.com/literature.asp)

For online service parts ordering,  
visit [www.SpicerParts.com/order.asp](http://www.SpicerParts.com/order.asp)



**SPICER<sup>®</sup>**

*Off-Highway Products*