

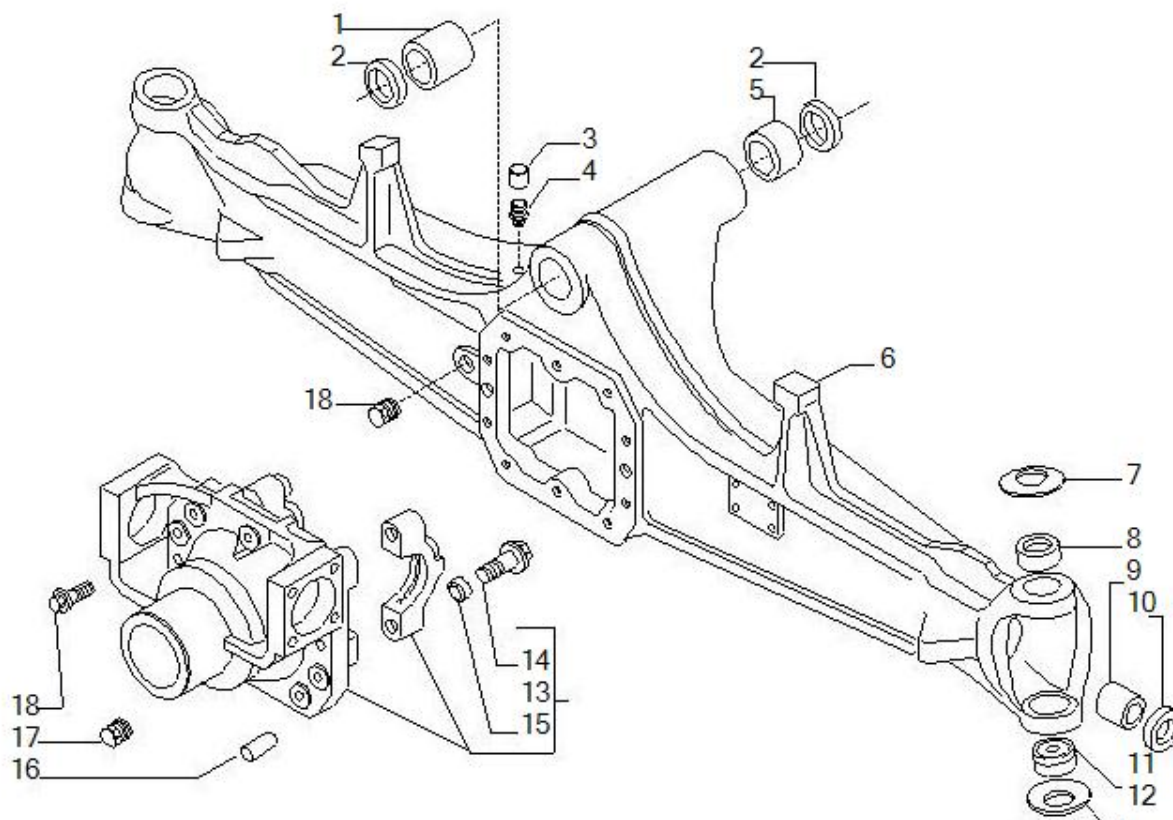


Spare parts catalogue

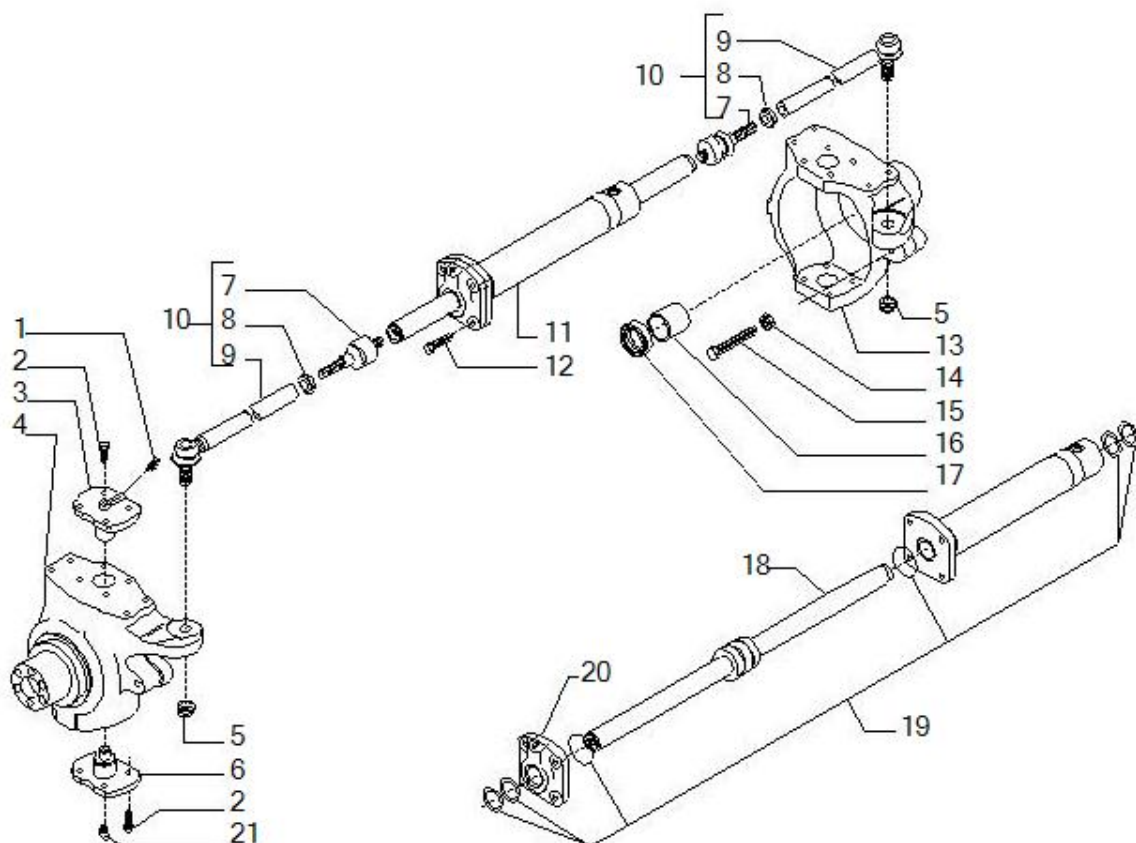
AXLE 26.16_(CM10039)

REF: 643427

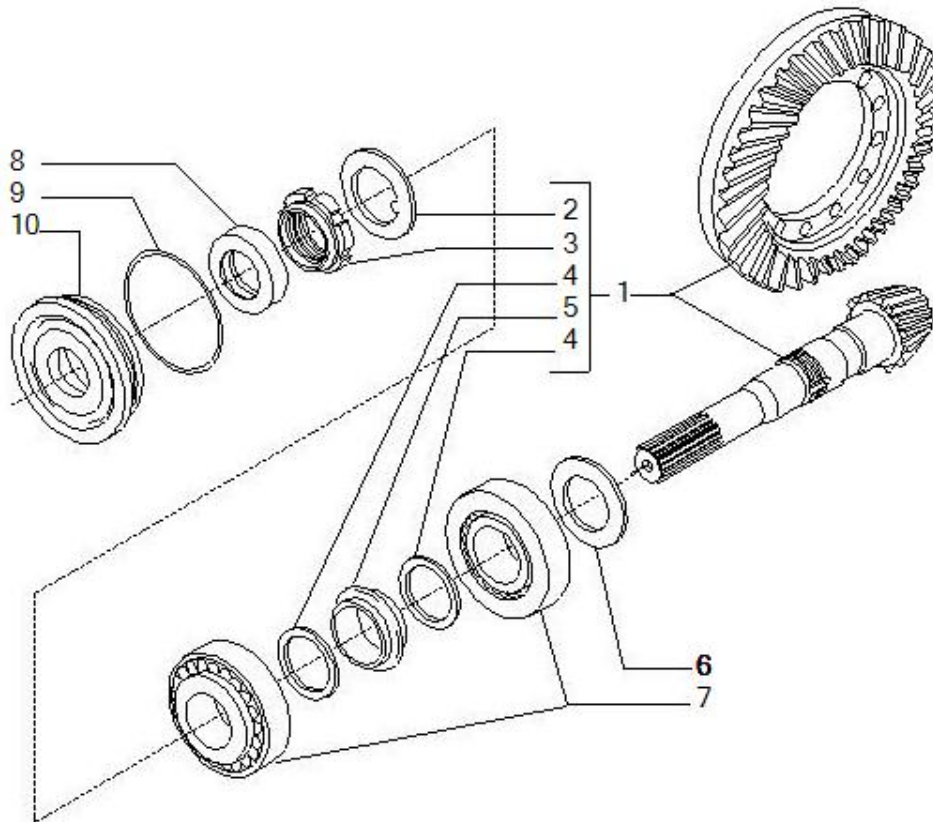
- 1.1 Axle housing**
- 2.1 Swivel housings and steering cylinder**
- 3.1 Bevel gear set**
- 4.1 Differential**
- 5.1 Double U-joint**
- 6.1 Wheel hub and final reduction**



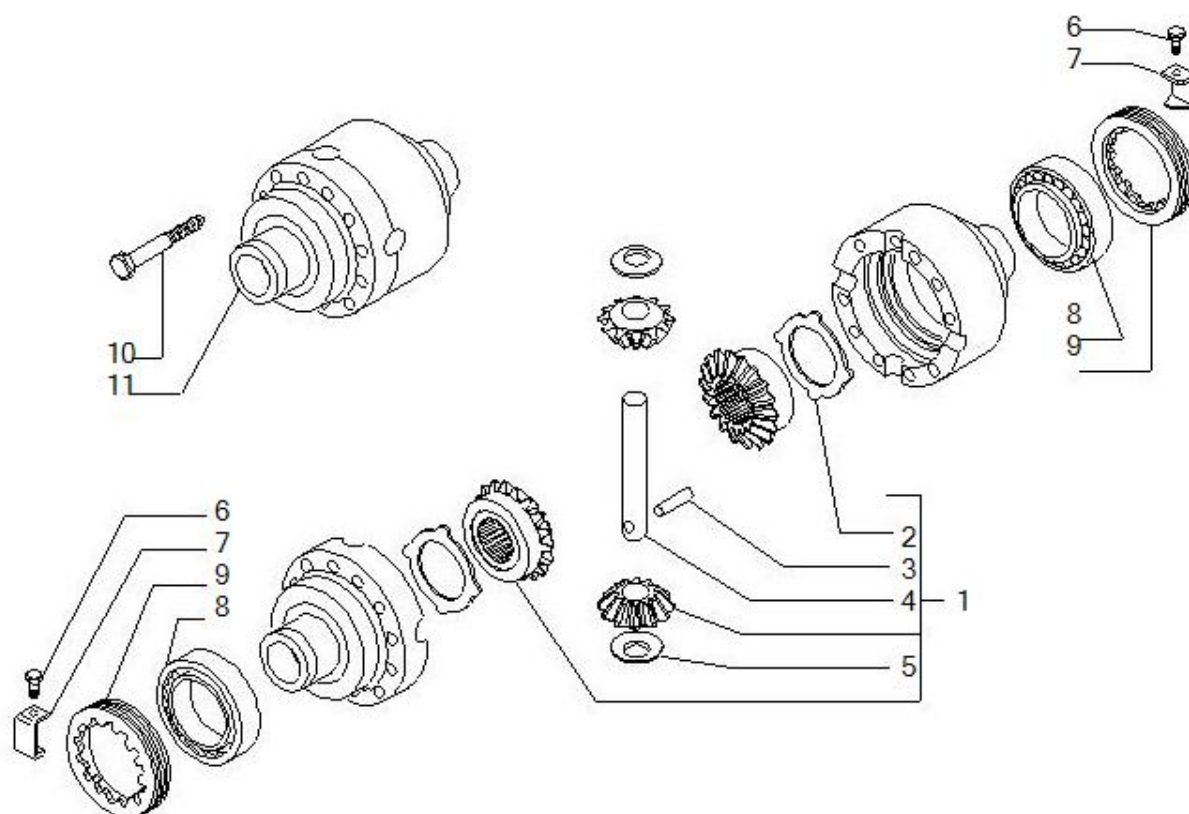
Pos	Ref	Qty	Description	Kit	Note
1	126610	1	SWING BUSHING 50.19X60X54		
2	120717	2	SEAL RING 50X60X4 NBR B10F		
3	130532	1	PLASTIC PLUG PROTEZ.		
4	104988	1	BREATHER M10X1		
5	126611	1	SWING BUSHING 50.19X60X36		
6	144488	1	BEAM 370647		
7	125813	2	BELLEVILLE WASHER 71x36x2		
8	45165	2	KING PIN BUSH 35X47X18.5		
9	118504	2	BUSHING 30X34X30 AB C		
10	644149	2	SEAL RING 30X44X14 SF6		
11	45159	2	SPHERICAL BALL GE25SX V-418		
12	128629	2	BELLEVILLE WASHER 61x43x0.9		
13	122964	1	I.S.C.DIFF.SUPPORT (381486)		
14	126022	4	HEX HEAD FLANGE SCREW M14X2X75 12.9 GRIF		
15	72235	4	Centering bush		
16	87660	2	PARALLEL PIN 15X35		
17	92270	2	Oil plug M22x1,5		
18	125827	10	HEX HEAD FLANGE SCREW M12X1.75X29 12.9 C		



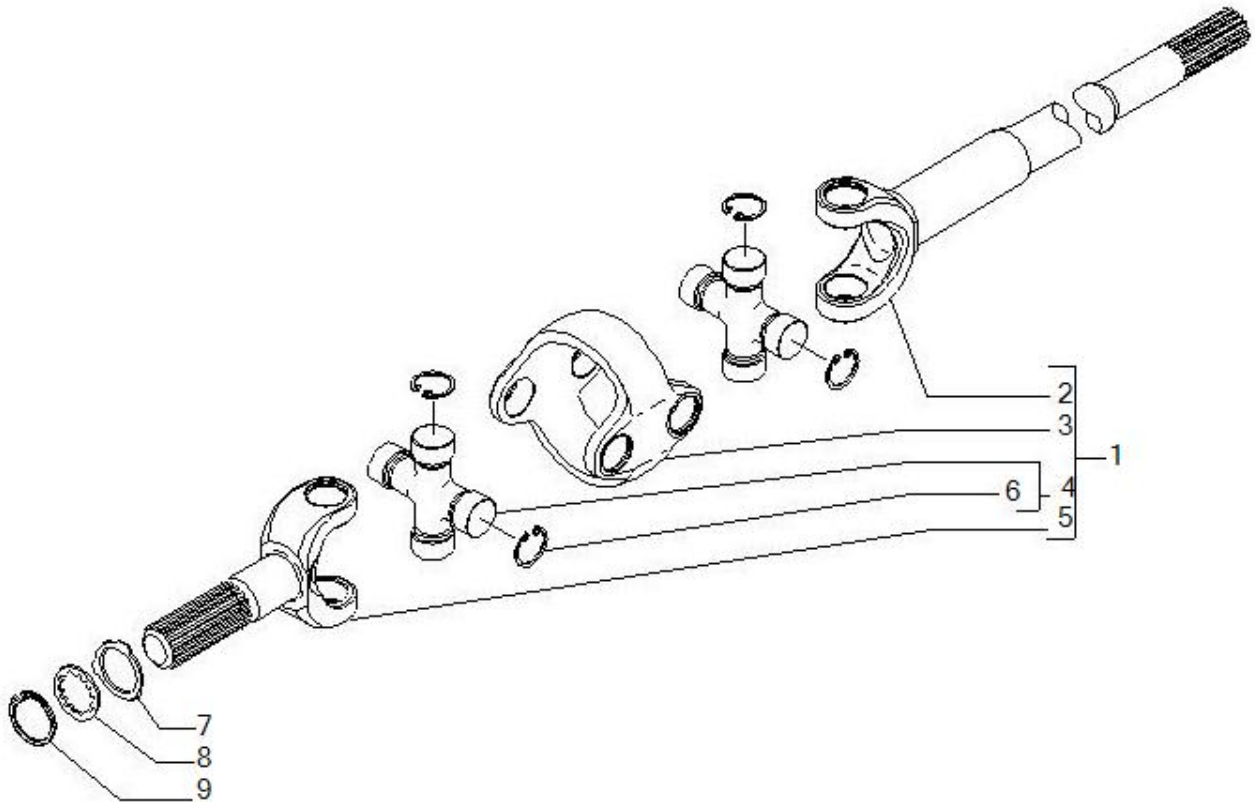
Pos	Ref	Qty	Description	Kit	Note
1	24210	2	LUBRIFICATING NIPPLES M6x1con.CH7 Acc.Zn		
2	126921	16	SELF-LOCKING SCREW M12X1.75X30 10.9 ACCI		
3	128904	2	SWIVEL HOUSING KING PIN (17573)		
4	644233	1	SWIVEL HOUSING LH (372220)		
5	22437	2	SELF-LOCKING NUT UNI 7474 M18X1.5 8		
6	128903	2	SWIVEL HOUSING KING PIN 17572		
7	130168	2	STEERING ROD RH L345 D30		
8	350440	2	BALL JOINT DX 38 [
9	22183	2	HEXAGON NUT UNI 5589 M18X1.5 6S		
10	350669	2	BALL JOINT TIE ROD RH D30		
11	130167	1	STEERING CYLINDER 63X38X2		
12	128534	4	SELF-LOCKING SCREW M12X45 10.9		
13	644232	1	SWIVEL HOUSING RH (372219)		
14	22129	2	HEXAGON NUT UNI 5589 M16 8		
15	127223	2	HEX HEAD SCREW UNI 5739 M16X75 REG.STERZ		
16	125390	2	BUSHING AB C 45X50X35 P		
17	641735	2	SEAL RING 45X60X17 SF		
18	49135	1	STEM COMPLETO		
19	49122	1	Oil seal kit		
20	49121	1	HEAD MARTINETTO		
21	24211	2	LUBRIFICATING NIPPLES M6x1con.CH11 Acc.Z		



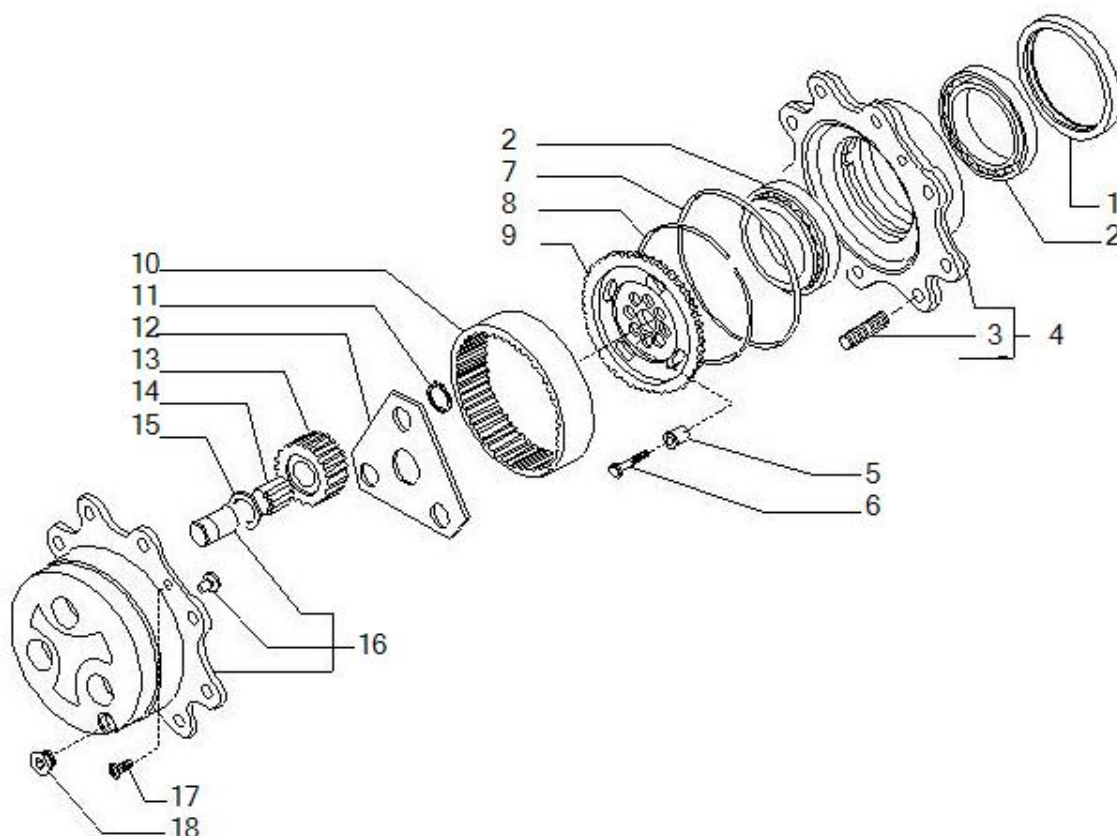
Pos	Ref	Qty	Description	Kit	Note
1	68472	1	Bevel gear/Pinion set 14/32		
2	113717	1	SAFETY WASHER MAT101 STD. CARRARO 1-0000		
3	115054	1	RING NUT M40X1.5		
4	125829	2	THRUST SHOE 40.5X50X2		
5	125806	1	ELASTIC SPACER 45X42X22.7		
6	132265	1	SHIM 63X40.3X2.5		
6	132266	1	SHIM 63X40.3X2.6		
6	132267	1	SHIM 63X40.3X2.7		
6	132268	1	SHIM 63X40.3X2.8		
6	132269	1	SHIM 63X40.3X2.9		
6	132270	1	SHIM 63X40.3X3		
6	132271	1	SHIM 63X40.3X3.1		
6	132272	1	SHIM 63X40.3X3.2		
6	132273	1	SHIM 63X40.3X3.3		
6	132274	1	SHIM 63X40.3X3.4		
7	27350	2	Bearing		
8	134363	1	SEAL RING 35X52X16 75 FKM SF6		
9	28212	1	O.ring		
10	129929	1	COVER PARAOLIO (11089)		



Pos	Ref	Qty	Description	Kit	Note
1	66161	1	DIFF. GEARS KIT		
2	120361	2	COUNTERPLATE Diff. locking SP. 1.5		
3	116451	1	PARALLEL PIN UNI 1707 7X40 ACCIAIO		
4	115731	1	DIFF.PLANET.GEAR PIN L130 D22		
5	115730	2	SPHERICAL WASHER washer 22.1X42X1.5 CuSn		
6	128440	2	SELF-LOCKING SCREW M6X10 10.9		
7	107778	2	RING NUT STOP		
8	27309	2	Bearing		
9	107400	2	RING NUT M94X2 (16988)		
10	125552	12	HEX HEAD SCREW M10X1.5X75 12.9 ATB		
11	137972	1	COMPLETE DIFF.HOUSING		



Pos	Ref	Qty	Description	Kit	Note
1	131219	2	DOUBLE U-JOINT		
2	46264	2	Fork (diff. side)		
3	46196	2	Central body		
5	46254	2	Fork (wheel hub)		
7	134196	2	THRUST WASHER		
8	134197	2	THRUST WASHER		
9	24800	2	Snap ring		



Pos	Ref	Qty	Description	Kit	Note
1	47703	2	SEAL RING 130X160X14 5/16		
2	45181	4	TAPE ROLLER THRUST BEARING 045181		
3	123563	8	STUD M18X69 8.8 ACCIAIO CL. 8.8 UNI EN 2		
4	65964	2	WHEEL HUB KIT 707		
5	127994	12	CENTERING BUSH		
6	128658	12	SELF-LOCKING SCREW M10X45 10.9		
7	28668	2	O.ring		
8	125344	2	CIRCLIP 188.7X3.5		
9	128653	2	EPIC. WHEEL CARRIER HUB (16864)		
10	125452	2	EPICYCLOIDAL RING GEAR Z6		
11	24789	6	Snap ring		
12	123318	2	FIFTH WHEEL SATELLITI		
13	125455	6	EPIC.PLANETARY GEAR Z23 M3 L30.6		
14	28299	18	NEEDLE 4x29.8 (TENS OF 125543)		
15	115634	6	FIFTH WHEEL 34.6X55X1.5		
16	65587	2	PLANETARY CARRIER + PERNI		
17	20490	4	COUNTERSUNK HEAD SCREW UN		
18	125280	2	MAGNETIC PLUG M30X2		