



CARRARO

Catalogo Parti Di Ricambio

Spare Parts List

TRASMISSIONE TLB2

TLB2 TRANSMISSION

REF. 144075

**INDICE
INDEX****1.0.0** Assi

Axes

2.0.0 Scatola trasmissione

Transmission housing

3.0.0 Alberi d'entrata e di trasmissione PTO (asse A)

Input and PTO transmission shafts (axe A)

4.0.1 Albero primario (asse B) e albero rinvio (asse D)

Primary shaft (axe B) reverse shaft (axe D)

5.0.0 Albero secondario (asse C)

Secondary shaft (axe C)

6.0.0 Albero d'uscita (asse E)

Output shaft (axe E)

7.0.0 Pompa olio

Oil pump

8.0.0 Convertitore

Converter

9.0.0 Sistema di gestione idraulica/elettronica

Electronic /hydraulic system

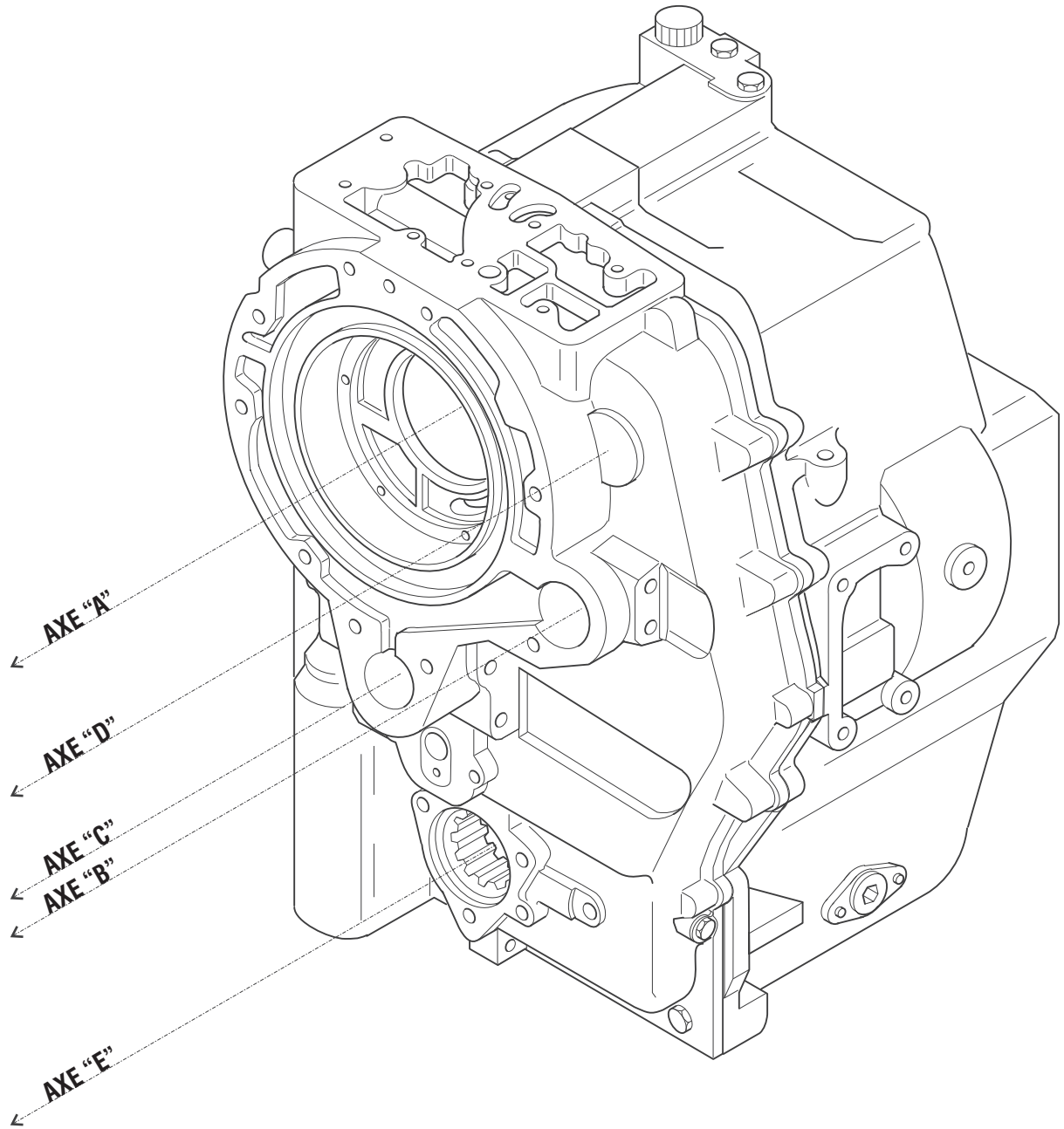
10.0.0 Tubazioni e sensori

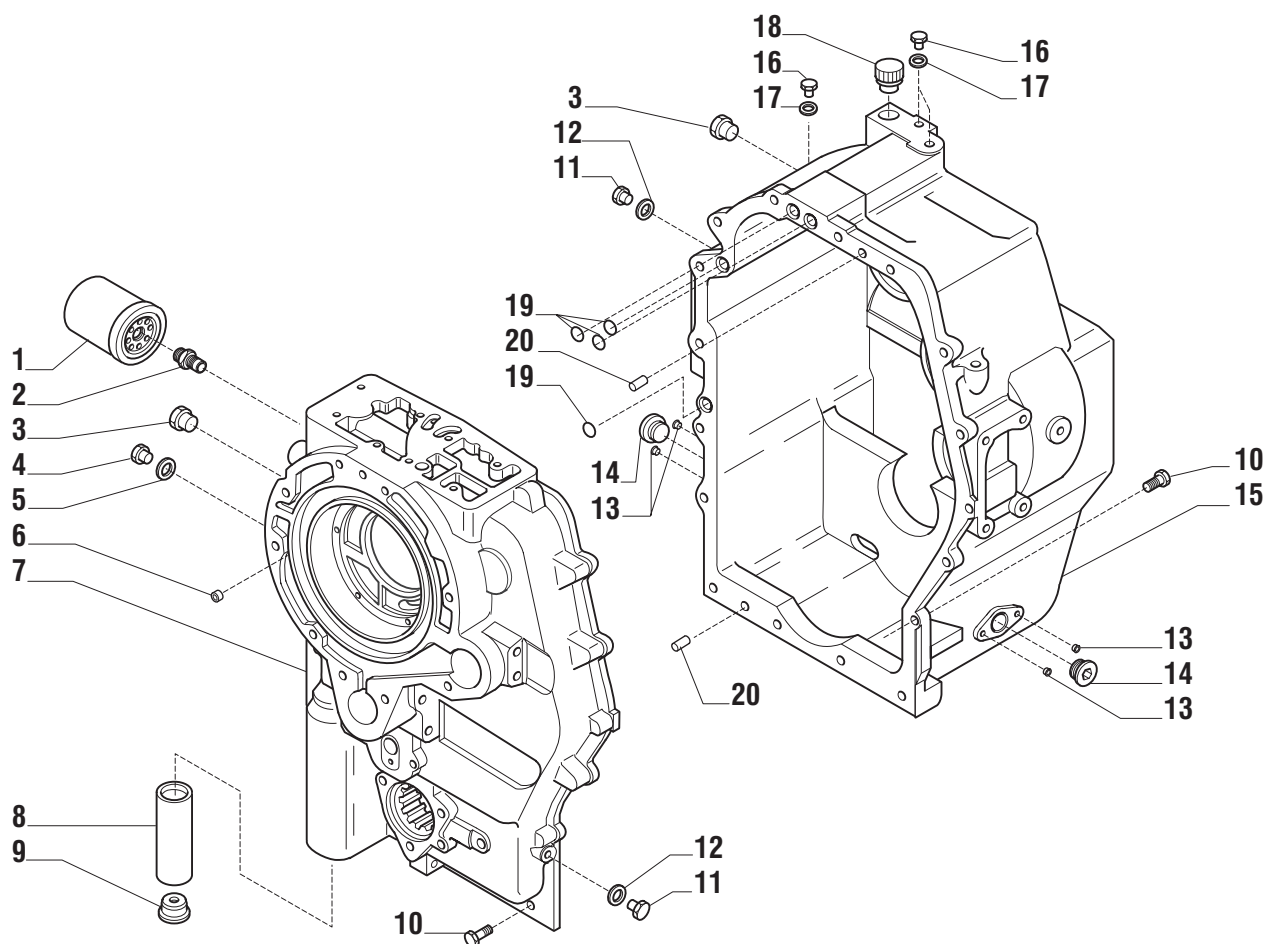
Pipes and sensors

11.0.0 Sommario kit

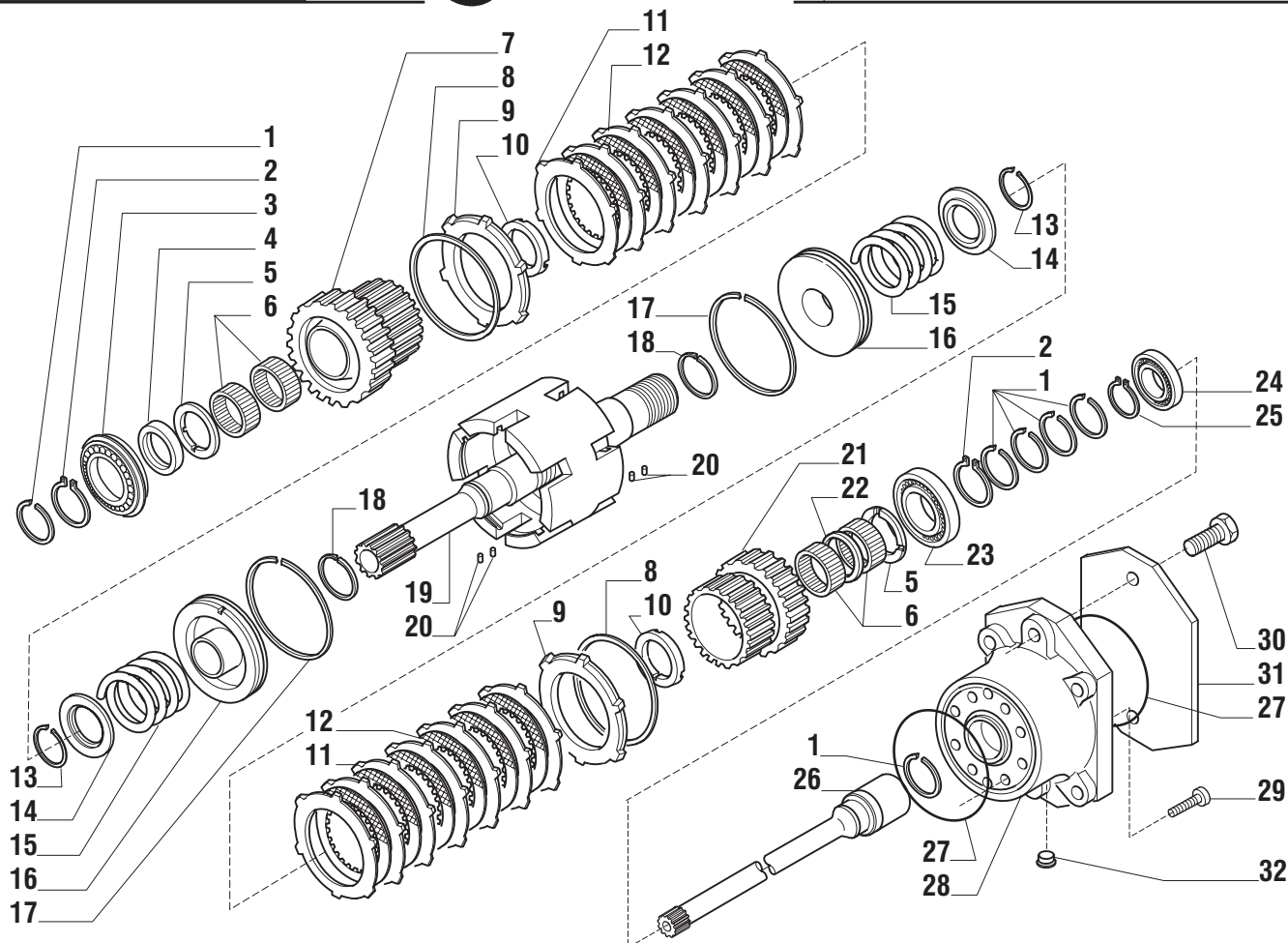
Kit summary

This catalogue is valid from serial number 101.**Il presente catalogo è valido a partire dal N° di matricola 101.**

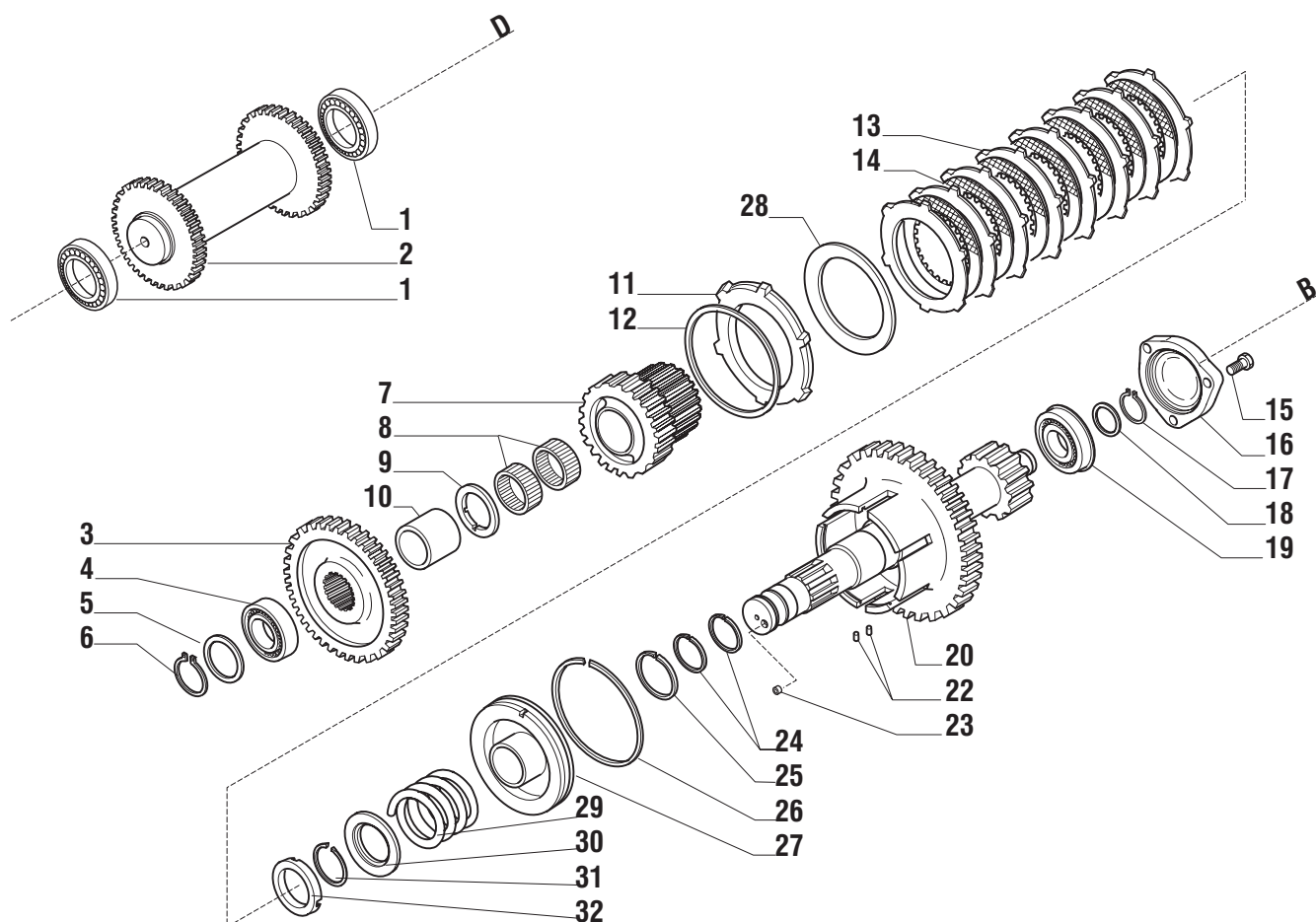




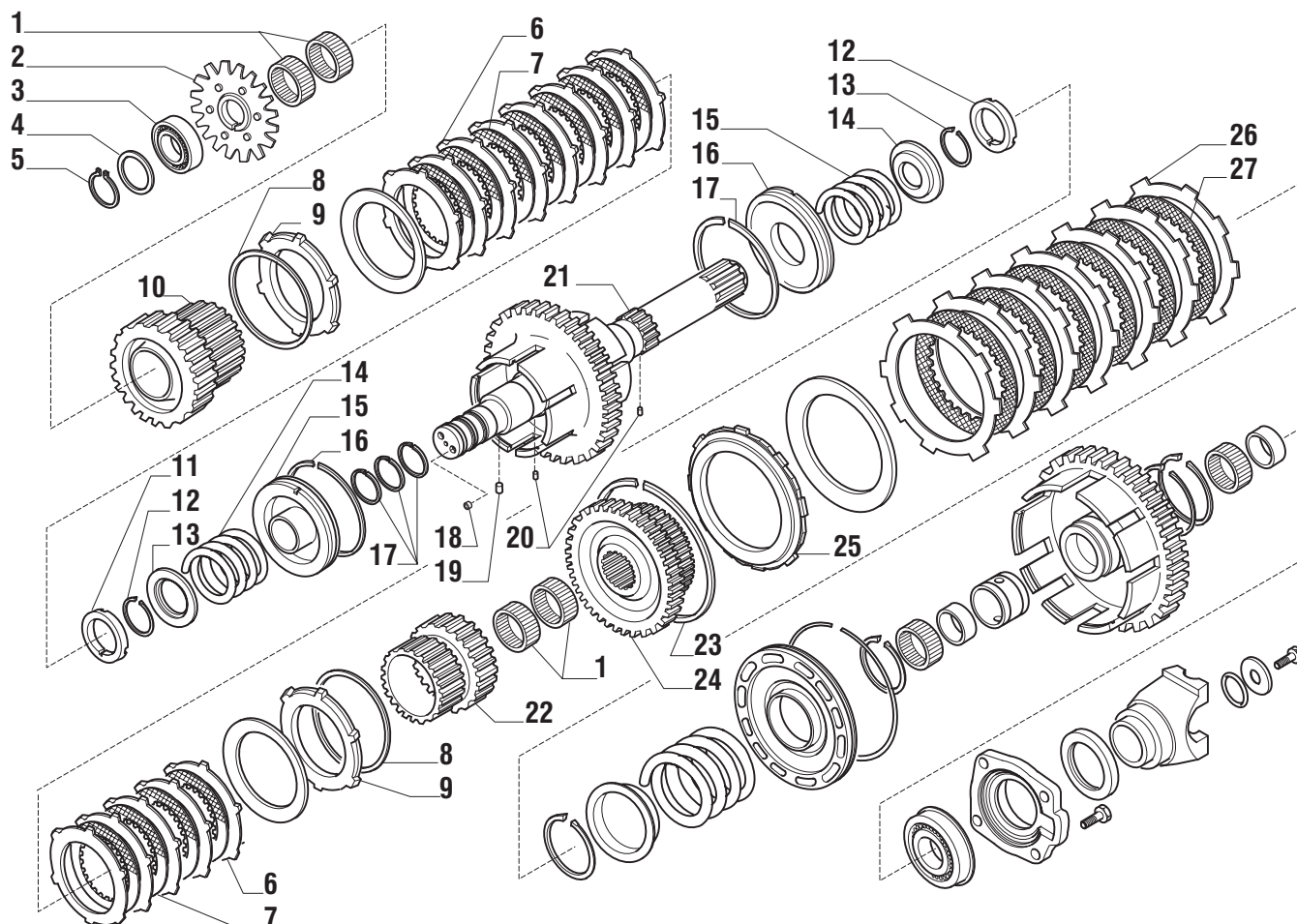
| Pos. | Ref. | Q.ty | Descrizione | Description | Kit | From S/N | To S/N | Note |
|------|--------|------|------------------------|--------------------|-----|----------|--------|------|
| 1 | 139413 | 1 | Filtro olio | Oil filter | | | | |
| 2 | 131217 | 1 | Raccordo filtro olio | Connection | | | | |
| 3 | 030745 | 2 | Tappo | Plug | | | | |
| 4 | 021572 | 1 | Tappo | Plug | | | | |
| 5 | 023272 | 1 | Guarnizione rame | Copper washer | | | | |
| 6 | 021558 | 1 | Tappo M10x1 | Plug M10x1 | | | | |
| 7 | 139349 | 1 | Semiscatola anteriore | Front half-housing | | | | |
| 8 | 138385 | 1 | Filtro olio | Oil filter | | | | |
| 9 | 138386 | 1 | Tappo M42x2 | Plug M42x2 | | | | |
| 10 | 020852 | 17 | Vite M10x30 | Bolt M10x30 | | | | |
| 11 | 021583 | 2 | Tappo | Plug | | | | |
| 12 | 023287 | 2 | Rondella rame | Copper washer | | | | |
| 13 | 030773 | 4 | Tappo D7 | Plug D7 | | | | |
| 14 | 125280 | 2 | Tappo M30x2 | Plug M30x2 | | | | |
| 15 | 139350 | 1 | Semiscatola posteriore | Rear half-housing | | | | |
| 16 | 021322 | 3 | Tappo | Plug | | | | |
| 17 | 023260 | 3 | Rondella rame | Copper washer | | | | |
| 18 | 030368 | 1 | Tappo sfiato | Breather plug | | | | |
| 19 | 028560 | 4 | Anello OR | O.ring | | | | |
| 20 | 072259 | 2 | Spina D10x25 | Pin D10x25 | | | | |



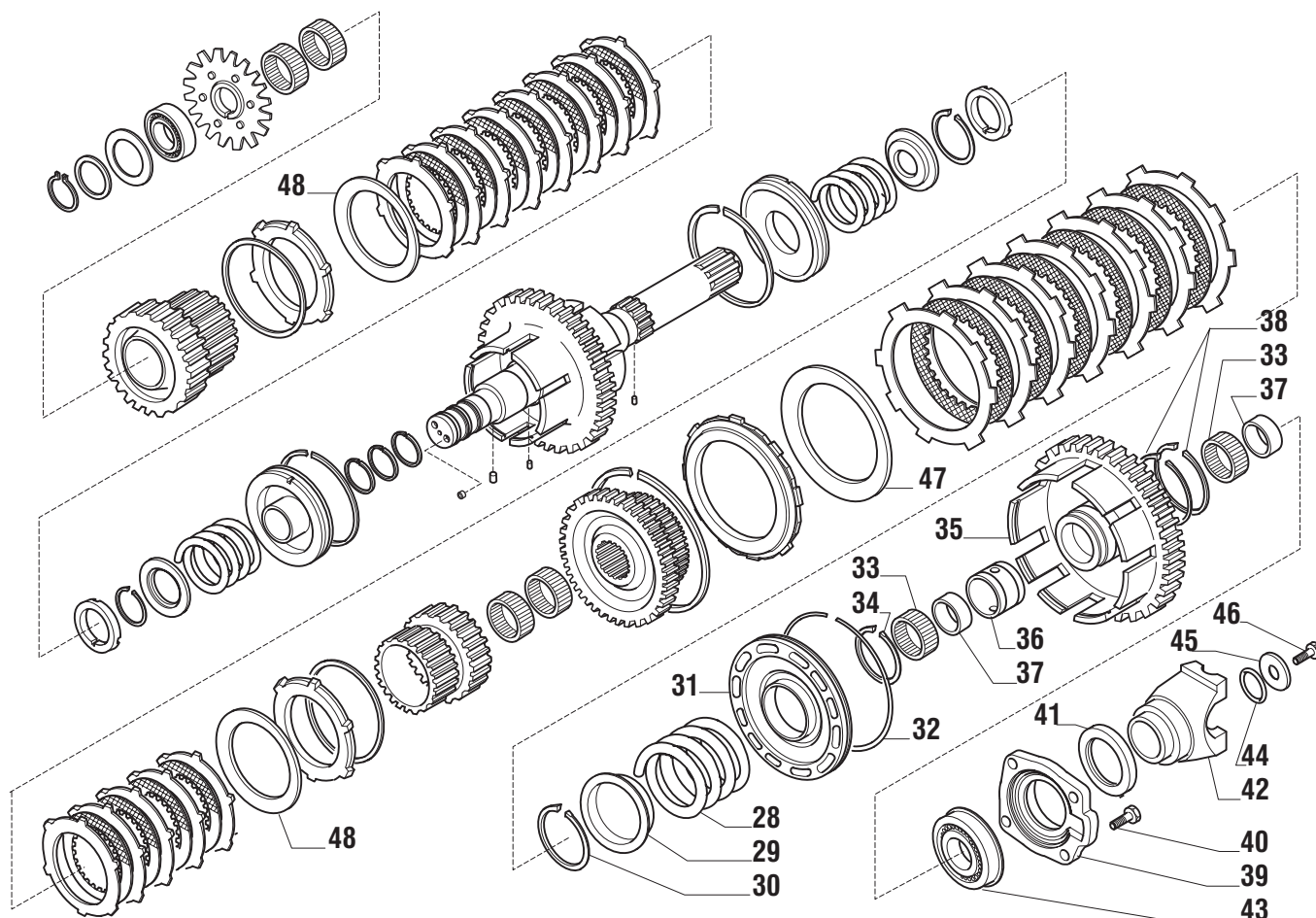
| Pos. | Ref. | Q.ty | Descrizione | Description | Kit | From S/N | To S/N | Note |
|------|--------|------|---------------------------|------------------------|-----|----------|--------|------|
| 1 | 138787 | 6 | Anello tenuta | Seal ring | | | | |
| 2 | 024800 | 2 | Anello seeger D45 | Snap ring D45 | | | | |
| 3 | 026160 | 1 | Cuscinetto | Bearing | | | | |
| 4 | 129885 | 1 | Distanziale | Spacer | | | | |
| 5 | 129886 | 2 | Ralla | Thrust washer | | | | |
| 6 | 028041 | 4 | Gabbia rullini | Needle bearing bush | | | | |
| 7 | 138392 | 1 | Ingranaggio Z37 | Gear Z37 | | | | |
| 8 | 025067 | 2 | Anello arresto | Lockring | | | | |
| 9 | 135020 | 2 | Anello arresto | Lockring | | | | |
| 10 | 129901 | 2 | Ralla | Thrust washer | | | | |
| 11 | 133924 | 14 | Controdisco frizione | Clutch drive plate | | | | |
| 12 | 138574 | 12 | Disco frizione | Clutch plate | | | | |
| 13 | 025031 | 2 | Anello arresto | Lockring | | | | |
| 14 | 133912 | 2 | Coperchio fermo molla | Lock-spring cover | | | | |
| 15 | 129896 | 2 | Molla | Spring | | | | |
| 16 | 133905 | 2 | Pistone frizione | Clutch piston | | | | |
| 17 | 138790 | 2 | Anello tenuta | Seal ring | | | | |
| 18 | 138788 | 2 | Anello tenuta | Seal ring | | | | |
| 19 | 135198 | 1 | Albero entrata cavo comp. | Inner shaft | | | | |
| 20 | 024321 | 4 | Spina elastica D3x8 | Split pin D3x8 | | | | |
| 21 | 138358 | 1 | Ingranaggio Z37 | Gear Z37 | | | | |
| 22 | 129903 | 1 | Distanziale | Spacer | | | | |
| 23 | 025829 | 1 | Cuscinetto | Bearing | | | | |
| 24 | 025735 | 1 | Cuscinetto | Bearing | | | | |
| 25 | 024785 | 1 | Anello seeger D30 | Snap ring D30 | | | | |
| 26 | 138383 | 1 | Albero trasm. PTO | PTO transmission shaft | | | | |
| 27 | 028571 | 2 | Anello OR | O.ring | | | | |
| 28 | 138387 | 1 | Flangia | Flange | | | | |
| 29 | 021410 | 8 | Vite M10x30 | Bolt M10x30 | | | | |
| 30 | 021009 | 2 | Vite M16x45 | Bolt M16x45 | | | | |
| 31 | 138550 | 1 | Coperchio | Cover | | | | |
| 32 | 030720 | 2 | Tappo | Plug | | | | |



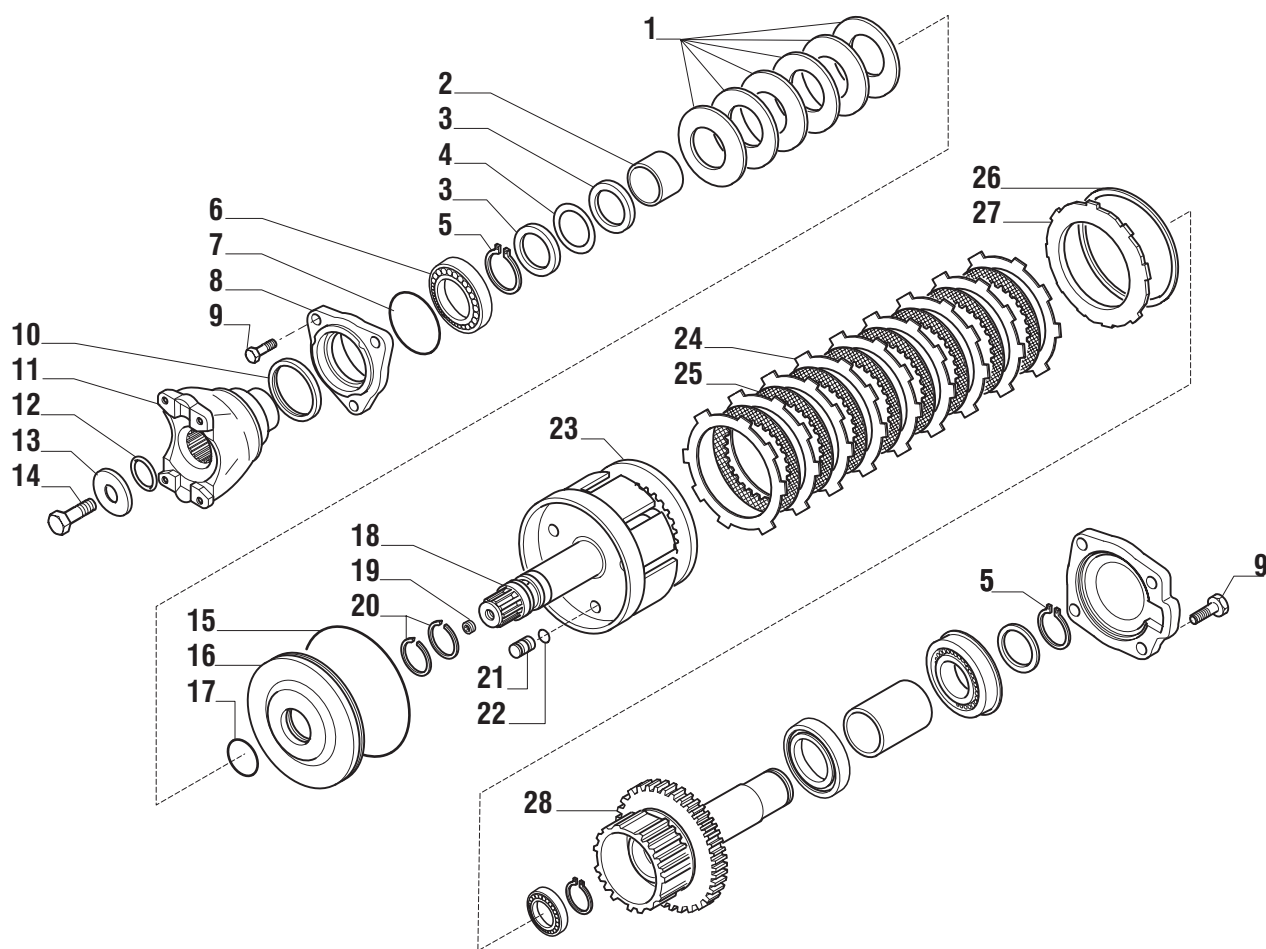
| Pos. | Ref. | Q.ty | Descrizione | Description | Kit |
|------|--------|------|-----------------------|---------------------|----------------------------|
| 1 | 025808 | 2 | Cuscinetto | Bearing | |
| 2 | 137647 | 1 | Albero rinvio Z27 | Reverse shaft Z27 | from s/n 1055 - was 135247 |
| 3 | 133174 | 1 | Ingranaggio Z45 | Ingranaggio Z45 | |
| 4 | 025809 | 1 | Cuscinetto | Bearing | |
| 5 | 125829 | 1 | Rondella | | |
| 6 | 025053 | 1 | Anello arresto | Washer | |
| 7 | 138362 | 1 | Ingranaggio Z30 | Lockring | |
| 8 | 028015 | 2 | Gabbia rulli | Gear Z30 | |
| 9 | 129886 | 1 | Ralla | Needle bearing bush | |
| 10 | 138359 | 1 | Distanziale | Thrust washer | |
| 11 | 140332 | 1 | Anello arresto | Spacer | |
| 12 | 025067 | 1 | Anello arresto | Lockring | |
| 13 | 133980 | 9 | Controdisco frizione | Lockring | |
| 14 | 138574 | 8 | Disco frizione | Clutch drive plate | |
| 15 | 020852 | 3 | Vite M10x30 | Clutch plate | |
| 16 | 133372 | 1 | Coperchio | Bolt M10x30 | |
| 17 | 024790 | 1 | Anello seeger D35 | Cover | |
| 18 | 125830 | 1 | Rondella | Snap ring D35 | |
| 19 | 026188 | 1 | Cuscinetto | Washer | |
| 20 | 138363 | 1 | Albero Z58/Z17 | Bearing | |
| 21 | 024321 | 2 | Spina elastica D3x8 | Shaft Z58/Z17 | |
| 22 | 021558 | 1 | Tappo M10x1 | Split pin D3x8 | |
| 23 | 138786 | 2 | Anello tenuta | Plug M10x1 | |
| 24 | 138788 | 1 | Anello tenuta | Seal ring | |
| 25 | 138790 | 1 | Anello tenuta | Seal ring | |
| 26 | 140126 | 1 | Pistone frizione | Seal ring | |
| 27 | 140116 | 1 | Molla a tazza | Clutch piston | |
| 28 | 129896 | 1 | Molla | Belleville washer | |
| 29 | 133912 | 1 | Coperchio fermo molla | Spring | |
| 30 | 025031 | 1 | Anello arresto | Lock-spring cover | |
| 31 | 129901 | 1 | Ralla | Lockring | |



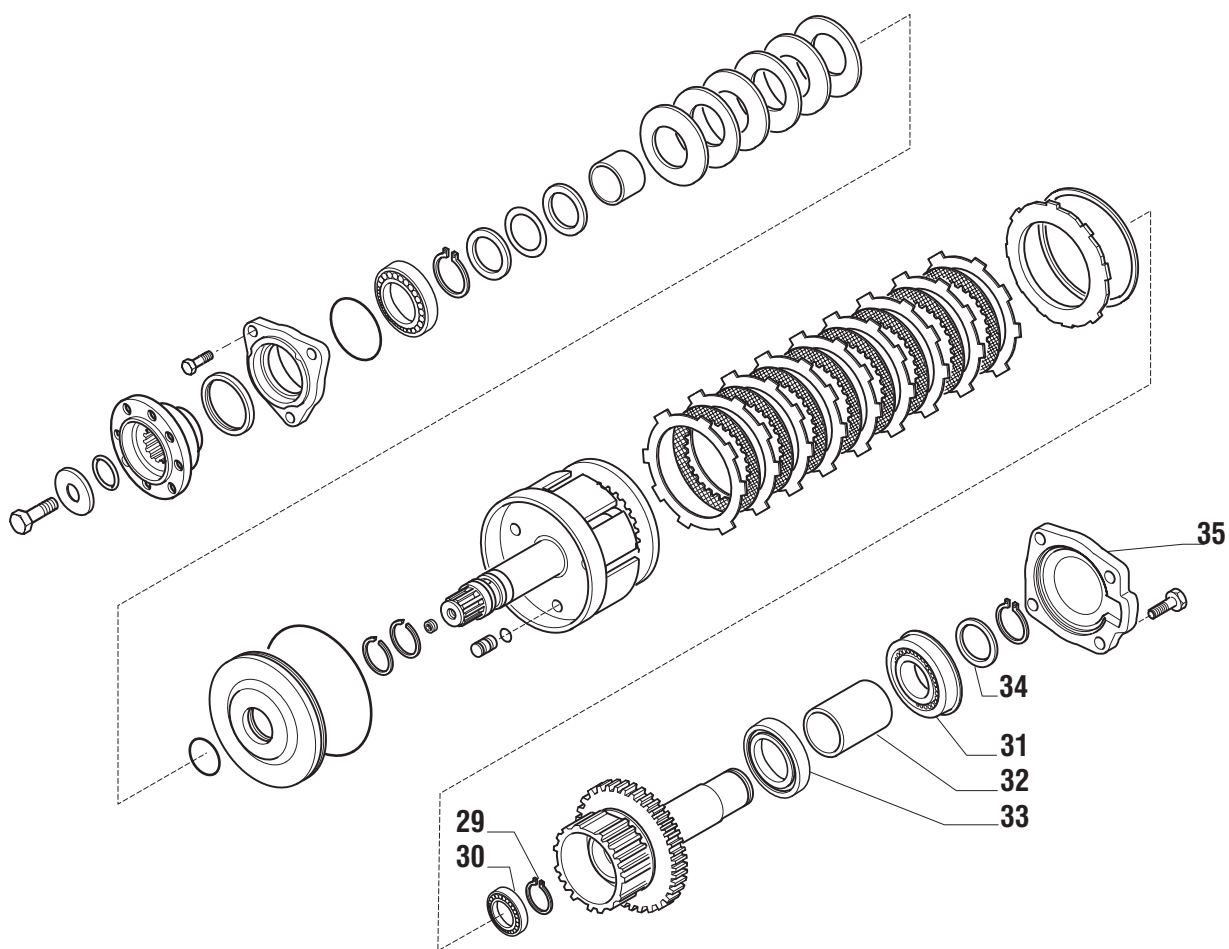
| Pos. | Ref. | Q.ty | Descrizione | Description | Kit | From S/N | To S/N | Note |
|------|--------|------|-----------------------|---------------------|-----|----------|--------|------|
| 1 | 028041 | 4 | Gabbia rullini | Needle bearing bush | | | | |
| 2 | 139389 | 1 | Ruota fonica | Speed meter wheel | | | | |
| 3 | 025809 | 1 | Cuscinetto | Bearing | | | | |
| 4 | 125829 | 1 | Rondella | Washer | | | | |
| 5 | 025053 | 1 | Anello arresto | Lockring | | | | |
| 6 | 133980 | 14 | Controdisco frizione | Clutch drive plate | | | | |
| 7 | 138574 | 13 | Disco frizione | Clutch plate | | | | |
| 8 | 025067 | 2 | Anello arresto | Lockring | | | | |
| 9 | 140332 | 2 | Anello arresto | Lockring | | | | |
| 10 | 138368 | 1 | Ingranaggio Z44 | Gear Z44 | | | | |
| 11 | 129901 | 2 | Ralla | Trust washer | | | | |
| 12 | 025031 | 2 | Anello arresto | Lockring | | | | |
| 13 | 133912 | 2 | Coperchio fermo molla | Lock-spring cover | | | | |
| 14 | 129896 | 2 | Molla | Spring | | | | |
| 15 | 140126 | 2 | Pistone frizione | Clutch piston | | | | |
| 16 | 138790 | 2 | Anello tenuta | Seal ring | | | | |
| 17 | 138786 | 3 | Anello tenuta | Seal ring | | | | |
| 18 | 021558 | 2 | Tappo M10x1 | Plug M10x1 | | | | |
| 19 | 028372 | 1 | Rullo 4x8 | Roller 4x8 | | | | |
| 20 | 024321 | 2 | Spina elastica D3x8 | Split pin D3x8 | | | | |
| 21 | 139388 | 1 | Albero Z58 3/4^ | Shaft Z58 3/4^ | | | | |
| 22 | 138366 | 1 | Ingranaggio Z30 | Gear Z30 | | | | |
| 23 | 025066 | 1 | Anello arresto | Lockring | | | | |
| 24 | 138365 | 1 | Ingranaggio Z51 | Gear Z51 | | | | |
| 25 | 138381 | 1 | Anello arresto | Lockring | | | | |
| 26 | 138377 | 7 | Controdisco frizione | Clutch drive plate | | | | |
| 27 | 138378 | 6 | Disco frizione | Clutch plate | | | | |



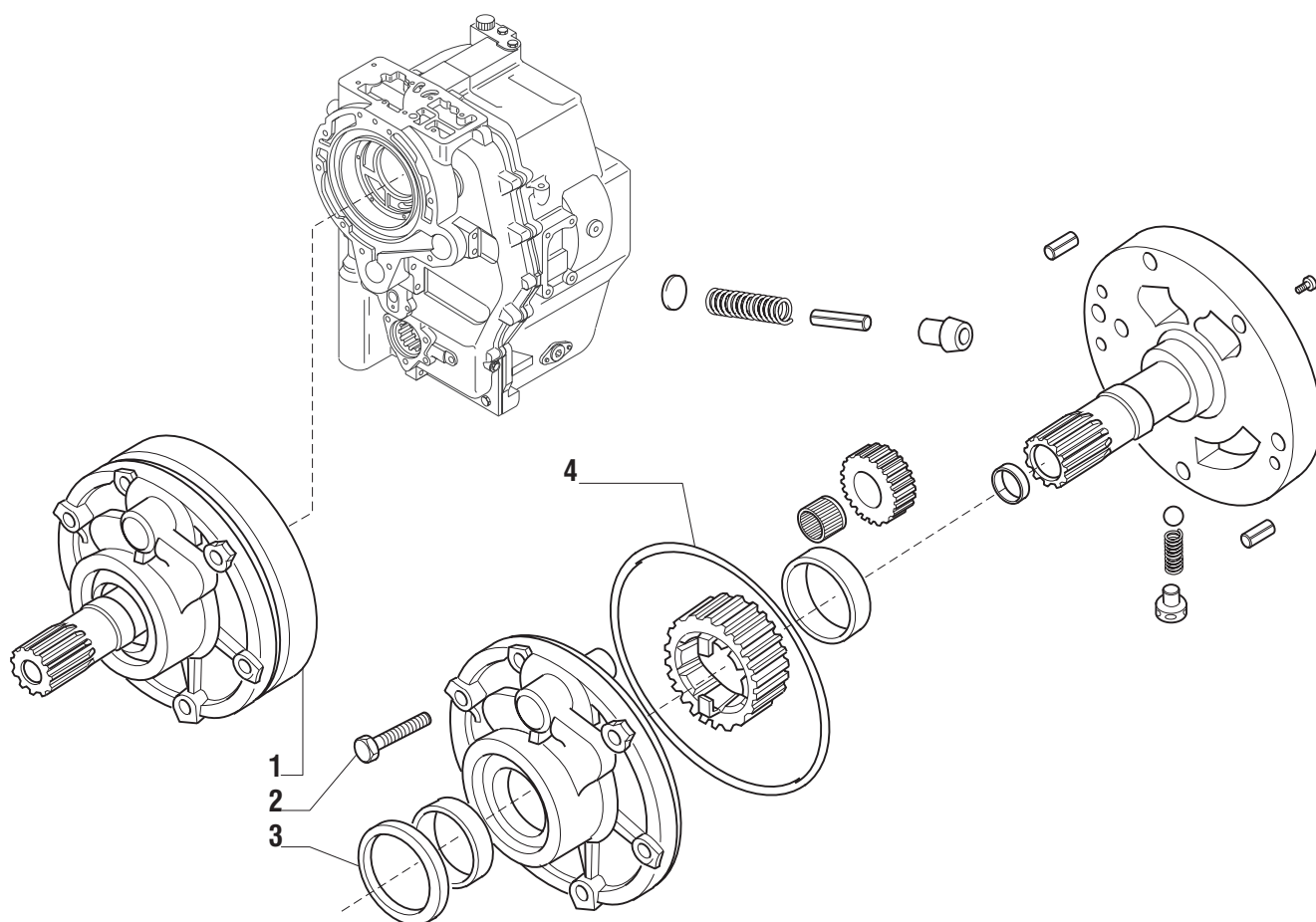
| Pos. | Ref. | Q.ty | Descrizione | Description | Kit | From S/N | To S/N | Note |
|------|--------|------|-----------------------|---------------------|-----|----------|--------|------|
| 28 | 139348 | 1 | Molla | Spring | | | | |
| 29 | 139347 | 1 | Coperchio fermo molla | Lock-spring cover | | | | |
| 30 | 025021 | 1 | Anello arresto | Lockring | | | | |
| 31 | 140141 | 1 | Pistone frizione | Clutch piston | | | | |
| 32 | 138372 | 1 | Anello tenuta | Seal ring | | | | |
| 33 | 028015 | 2 | Gabbia rulli | Needle bearing bush | | | | |
| 34 | 138789 | 1 | Anello tenuta D80 | Seal ring D80 | | | | |
| 35 | 138369 | 1 | Ingranaggio Z59 | Gear Z59 | | | | |
| 36 | 133379 | 1 | Distanziale | Spacer | | | | |
| 37 | 028350 | 2 | Bussola | Bush | | | | |
| 38 | 138364 | 2 | Anello tenuta | Seal ring | | | | |
| 39 | 133373 | 1 | Coperchio | Cover | | | | |
| 40 | 020852 | 4 | Vite M10x30 | Bolt M10x30 | | | | |
| 41 | 025485 | 1 | Anello tenuta | Seal ring | | | | |
| 42 | 137303 | 1 | Flangia | Flange | | | | |
| 43 | 026190 | 1 | Cuscinetto | Bearing | | | | |
| 44 | 028623 | 1 | Anello OR | O-ring | | | | |
| 45 | 129924 | 1 | Rondella | Washer | | | | |
| 46 | 123918 | 1 | Vite M12x35 | Bolt M12x35 | | | | |
| 47 | 140117 | 1 | Molla a tazza | Belleville washer | | | | |
| 48 | 140116 | 2 | Molla a tazza | Belleville washer | | | | |



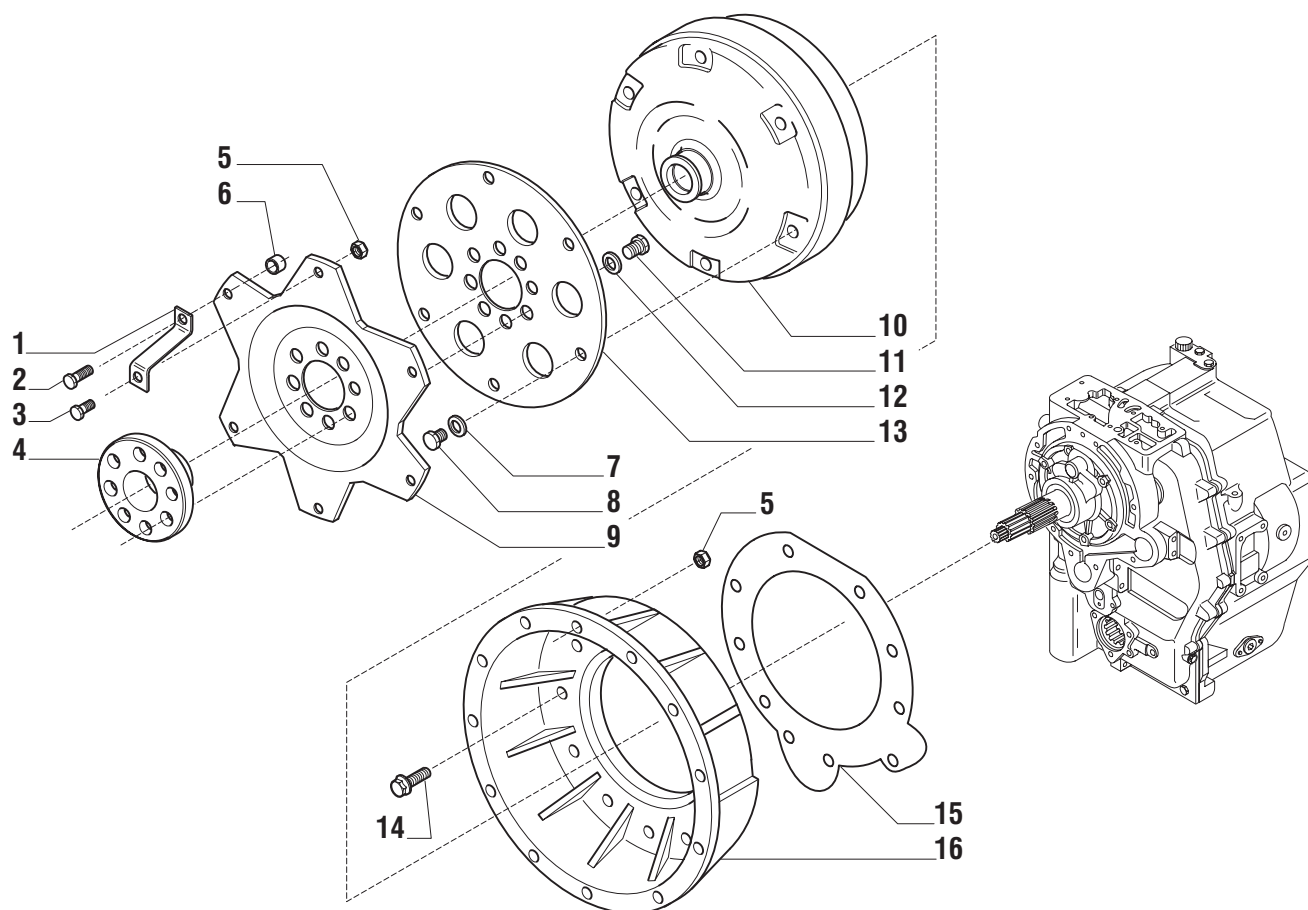
| Pos. | Ref. | Q.ty | Descrizione | Description | Kit | From S/N | To S/N | Note |
|------|--------|------|-----------------------|--------------------|-----|----------|--------|------|
| 1 | 138399 | 6 | Molla a tazza | Belleville washer | | | | |
| 2 | 138394 | 1 | Distanziale | Spacer | | | | |
| 3 | 138391 | 2 | Ralla | Thrust washer | | | | |
| 4 | 106866 | - | Spessore 0.1mm | Shim 0.1mm | | | | |
| 4 | 106867 | - | Spessore 0.3mm | Shim 0.3mm | | | | |
| 4 | 106868 | - | Spessore 0.5mm | Shim 0.5mm | | | | |
| 5 | 024799 | 2 | Anello seeger | Snap ring | | | | |
| 6 | 025809 | 1 | Cuscinetto | Bearing | | | | |
| 7 | 028528 | 1 | Anello OR | O.ring | | | | |
| 8 | 139343 | 1 | Coperchio | Cover | | | | |
| 9 | 020852 | 7 | Vite M10x30 | Bolt M10x30 | | | | |
| 10 | 025485 | 1 | Anello tenuta | Oil seal | | | | |
| 11 | 144452 | 1 | Flangia | Flange | | | | |
| 12 | 028131 | 1 | Anello OR | O.ring | | | | |
| 13 | 129924 | 1 | Rondella | Washer | | | | |
| 14 | 123918 | 1 | Vite M12x25 | Bolt M12x25 | | | | |
| 15 | 028624 | 1 | Anello OR | O.ring | | | | |
| 16 | 139341 | 1 | Pistone frizione | Clutch piston | | | | |
| 17 | 028548 | 1 | Anello OR | O.ring | | | | |
| 18 | 139338 | 1 | Albero uscita | Output shaft | | | | |
| 19 | 021558 | 1 | Tappo M10x1 | Plug M10x1 | | | | |
| 20 | 138787 | 2 | Anello tenuta | Seal ring | | | | |
| 21 | 139342 | 3 | Perno | Pin | | | | |
| 22 | 028534 | 3 | Anello OR | O.ring | | | | |
| 23 | 138384 | 1 | Disco attuatore freno | Brake plate | | | | |
| 24 | 141113 | 10 | Controdisco frizione | Clutch drive plate | | | | |
| 25 | 141112 | 9 | Disco frizione | Clutch plate | | | | |
| 26 | 025009 | 1 | Anello arresto | Lockring | | | | |
| 27 | 141114 | 1 | Anello arresto | Lockring | | | | |
| 28 | 139340 | 1 | Ingranaggio Z41 | Gear Z41 | | | | |



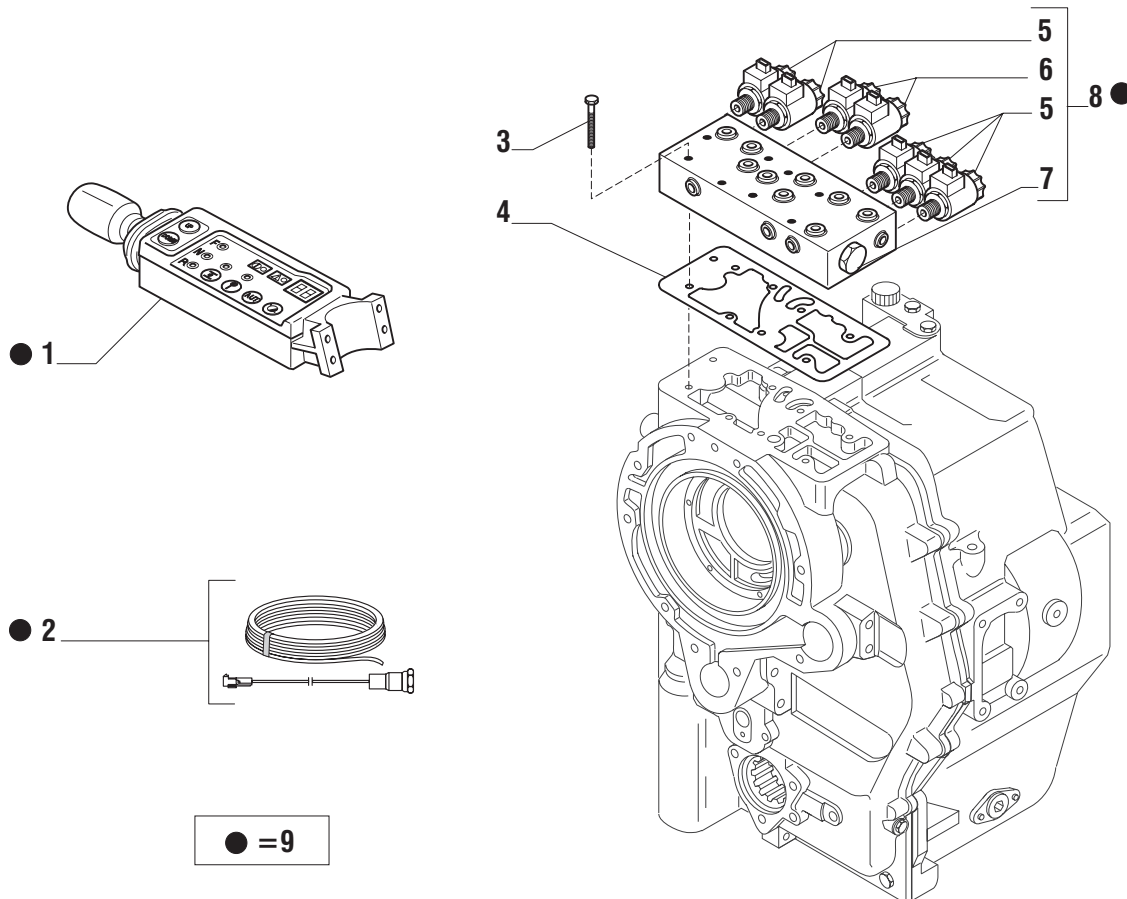
| Pos. | Ref. | Q.ty | Descrizione | Description | Kit | From S/N | To S/N | Note |
|------|--------|------|-------------------|---------------|-----|----------|--------|------|
| 29 | 024780 | 1 | Anello seeger D25 | Snap ring D25 | | | | |
| 30 | 025818 | 1 | Cuscinetto | Bearing | | | | |
| 31 | 026190 | 1 | Cuscinetto | Bearing | | | | |
| 32 | 138395 | 1 | Distanziale | Spacer | | | | |
| 33 | 027534 | 1 | Cuscinetto | Bearing | | | | |
| 34 | 079175 | 1 | Ralla | Thrust washer | | | | |
| 35 | 138398 | 1 | Coperchio | Cover | | | | |
| | | | | | | | | |
| | | | | | | | | |
| | | | | | | | | |
| | | | | | | | | |
| | | | | | | | | |
| | | | | | | | | |
| | | | | | | | | |
| | | | | | | | | |
| | | | | | | | | |
| | | | | | | | | |
| | | | | | | | | |
| | | | | | | | | |
| | | | | | | | | |
| | | | | | | | | |
| | | | | | | | | |
| | | | | | | | | |
| | | | | | | | | |



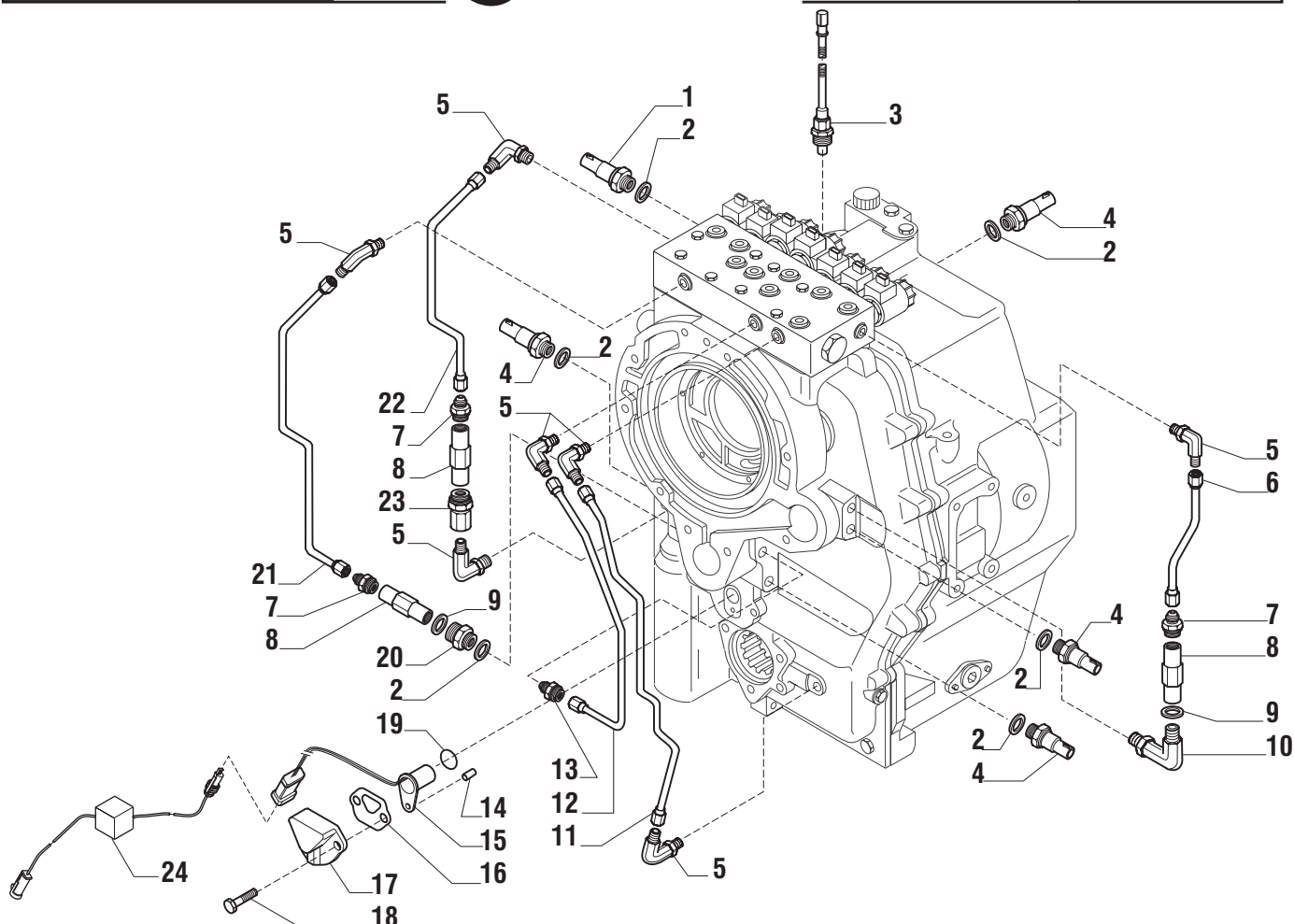
| Pos. | Ref. | Q.ty | Descrizione | Description | Kit | From S/N | To S/N | Note |
|------|---------------|------|---------------|---------------|-----|----------|--------|------|
| 1 | 135190 | 1 | Assieme pompa | Pump assembly | | | | |
| 2 | 020803 | 6 | Vite M8x60 | Screw M8x60 | | | | |
| 3 | 133566 | 1 | Anello tenuta | Oil seal | | | | |
| 4 | 028561 | 1 | Anello OR | O.ring | | | | |
| | | | | | | | | |
| | | | | | | | | |
| | | | | | | | | |
| | | | | | | | | |
| | | | | | | | | |
| | | | | | | | | |
| | | | | | | | | |
| | | | | | | | | |
| | | | | | | | | |
| | | | | | | | | |
| | | | | | | | | |
| | | | | | | | | |
| | | | | | | | | |
| | | | | | | | | |
| | | | | | | | | |
| | | | | | | | | |
| | | | | | | | | |
| | | | | | | | | |
| | | | | | | | | |
| | | | | | | | | |
| | | | | | | | | |
| | | | | | | | | |
| | | | | | | | | |
| | | | | | | | | |
| | | | | | | | | |



| Pos. | Ref. | Q.ty | Descrizione | Description | Kit | From S/N | To S/N | Note |
|------|--------|------|---------------------|-----------------------|-----|----------|--------|------|
| 1 | 138575 | 1 | Staffa | Bracket | | | | |
| 2 | 020786 | 1 | Vite M8x35 | Bolt M8x35 | | | | |
| 3 | 020780 | 1 | Vite M8x22 | Bolt M8x22 | | | | |
| 4 | 138571 | 1 | Flangia | Flange | | | | |
| 5 | 022116 | 2 | Dado M8 | Nut M8 | | | | |
| 6 | 138659 | 1 | Bussola 16x9x12.5 | Bush 16x9x12.5 | | | | |
| 7 | 023050 | 6 | Molla tazza | Spring washer | | | | |
| 8 | 020842 | 6 | Vite M10x16 | Bolt M10x16 | | | | |
| 9 | 138569 | 1 | Disco traino volano | Flywheel towing plate | | | | |
| 10 | 130251 | 1 | Convertitore | Converter | | | | |
| 11 | 021216 | 8 | Vite M12x22 | Bolt M12x22 | | | | |
| 12 | 023072 | 8 | Molla tazza | Spring washer | | | | |
| 13 | 138570 | 1 | Disco convertitore | Converter plate | | | | |
| 14 | 125827 | 9 | Vite M12x33 | Bolt M12x33 | | | | |
| 15 | 138568 | 1 | Guarnizione | Gasket | | | | |
| 16 | 138390 | 1 | Campana | Bell | | | | |



| Pos. | Ref. | Q.ty | Descrizione | Description | Kit | Note |
|------|---------------|------|-----------------------------|-----------------------------|---------------|-------------------------|
| 1 | 138553 | 1 | Gruppo gestione elettronica | Electronic switching system | | |
| 2 | 138554 | 1 | Cablaggio elettrico | Harness system | | |
| 3 | 020803 | 8 | Vite M8x60 | Bolt M8x60 | | |
| 4 | 149995 | 1 | Guarnizione distributore | Distributor gasket | | From s/n 983 was 139345 |
| 5 | 045062 | 5 | Elettrovalvola | Electrovalve | 138552 | |
| 6 | 045063 | 2 | Elettrovalvola | Electrovalve | 138552 | |
| 7 | 045064 | 1 | Divisore di flusso | Divider | 138552 | |
| 8 | 138552 | 1 | Distributore | Distributor | | |
| 9 | 138551 | 1 | Kit gestione idr/elt | Hydr/Elt system Kit | | |
| | | | | | | |
| | | | | | | |
| | | | | | | |
| | | | | | | |
| | | | | | | |
| | | | | | | |
| | | | | | | |
| | | | | | | |
| | | | | | | |
| | | | | | | |
| | | | | | | |
| | | | | | | |
| | | | | | | |



| Pos. | Ref. | Q.ty | Descrizione | Description | Kit | From S/N | To S/N | Note |
|------|--------|------|-----------------------------|---------------------------|-----|----------|--------|------|
| 1 | 138643 | 1 | Sensore pressione | Pressure sensor | | | | |
| 2 | 023287 | 6 | Rondella | Washer | | | | |
| 3 | 143687 | 1 | Sensore temp. Olio | Oil temp. Sensor | | | | |
| 4 | 138644 | 4 | Sensore pressione | Pressure sensor | | | | |
| 5 | 134919 | 7 | Raccordo 90° | Connection 90° | | | | |
| 6 | 140304 | 1 | Tubo 2° velocità | Pipe 2° speed | | | | |
| 7 | 140334 | 3 | Raccordo | Connection | | | | |
| 8 | 139990 | 3 | Kit valvola antishock 1°-3° | Antishock valve kit 1°-3° | | | | |
| 9 | 023281 | 2 | Rondella | Washer | | | | |
| 10 | 140335 | 1 | Raccordo 90° | Connection 90° | | | | |
| 11 | 138764 | 1 | Tubo FWD | Pipe FWD | | | | |
| 12 | 138763 | 1 | Tubo 4° velocità | Pipe 4° speed | | | | |
| 13 | 137595 | 1 | Raccordo | Connection | | | | |
| 14 | 117385 | 1 | Spina D6x14 | Pin D6x14 | | | | |
| 15 | 134513 | 1 | Sensore indutt. | Sensor | | | | |
| 16 | 133387 | 1 | Guarnizione sensore | Sensor gasket | | | | |
| 17 | 138572 | 1 | Coperchio sensore | Sensor cover | | | | |
| 18 | 020780 | 2 | Vite M8x22 | Bolt M8x22 | | | | |
| 19 | 028531 | 1 | Anello OR | O.ring | | | | |
| 20 | 140336 | 1 | Raccordo | Connection | | | | |
| 21 | 140305 | 1 | Tubo 3° velocità | Pipe 3° speed | | | | |
| 22 | 140303 | 1 | Tubo 1° velocità | Pipe 1° speed | | | | |
| 23 | 140333 | 1 | Raccordo | Connection | | | | |
| 24 | 141399 | 1 | Filtro optoisolatore | Optical isolator | | | | |



| Kit ref. | Ref. | Descrizione | Description | Q.ty | From S/N | To S/N | Note |
|----------|------|-------------|-------------|------|----------|--------|------|
| | | | | | | | |
| | | | | | | | |
| | | | | | | | |
| | | | | | | | |
| | | | | | | | |
| | | | | | | | |
| | | | | | | | |
| | | | | | | | |
| | | | | | | | |
| | | | | | | | |
| | | | | | | | |
| | | | | | | | |
| | | | | | | | |
| | | | | | | | |
| | | | | | | | |
| | | | | | | | |
| | | | | | | | |
| | | | | | | | |
| | | | | | | | |
| | | | | | | | |
| | | | | | | | |